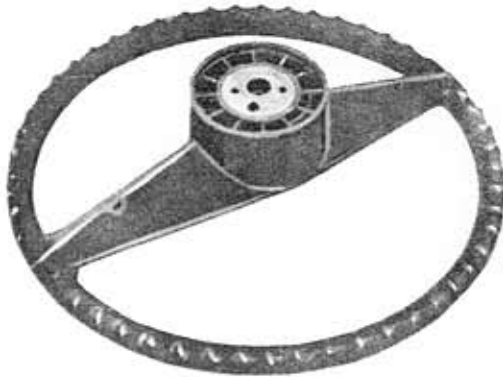


INSTRUCTION SHEET

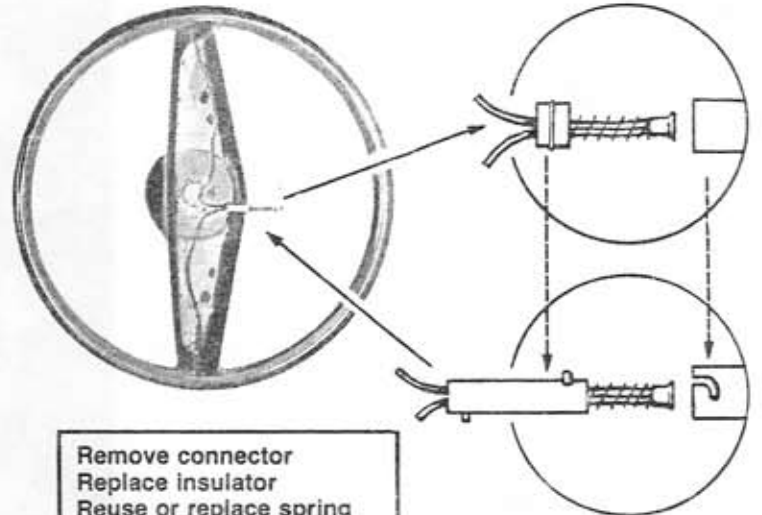
INSTALLATION OF STEERING WHEEL & CANCELLING CAM CONVERSION KIT

1. Refer to service manual for: Column installation or replacement of turn signal cancelling cams. Follow service manual instructions and use parts from this kit.
2. Remove wheel by method specified in service manual.

3a. Standard or sportwheel showing hub-backside



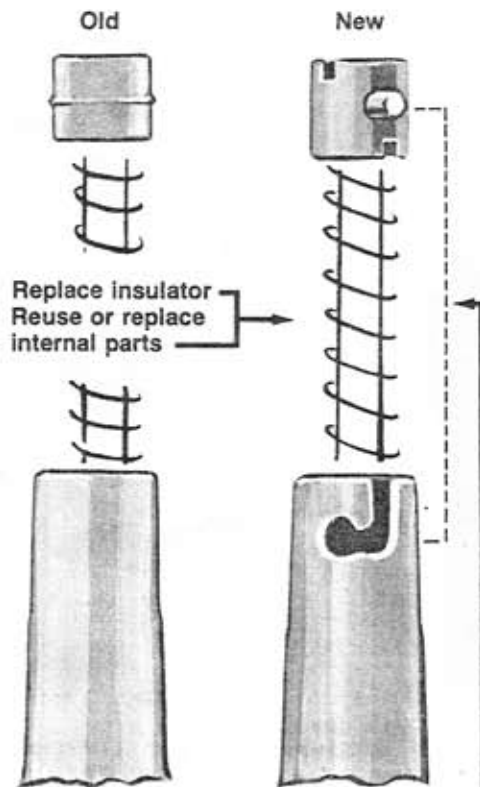
3b. Deluxe Wheel



Old configuration
382117

Remove connector
Replace insulator
Reuse or replace spring
Install new wire connector
by soldering

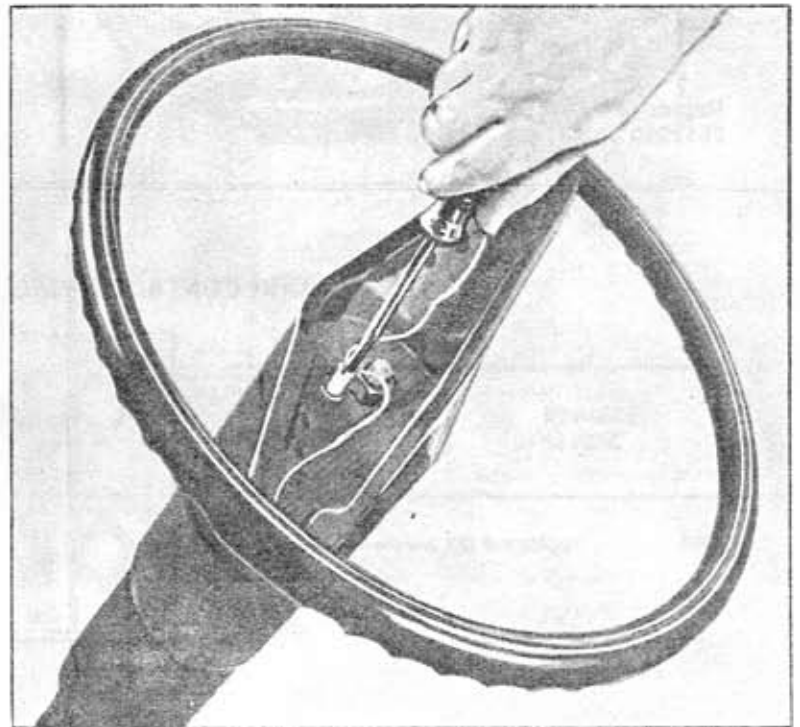
New configuration
Install deluxe
insulator 9753187



Replace insulator
Reuse or replace
internal parts

4. New insulator snaps in J slot on cancelling cam chimney thereby retaining horn contact parts after approximate 20 degree clockwise turn with screw driver.

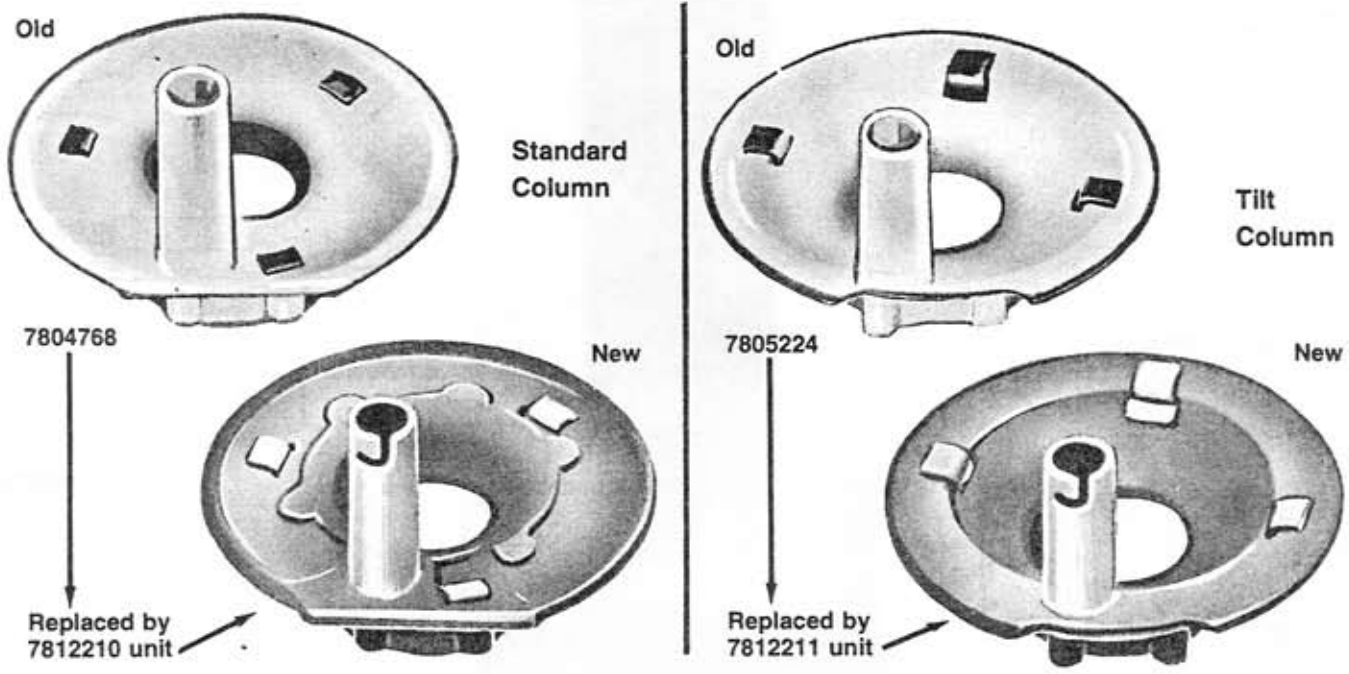
With wheel installed see note 4.



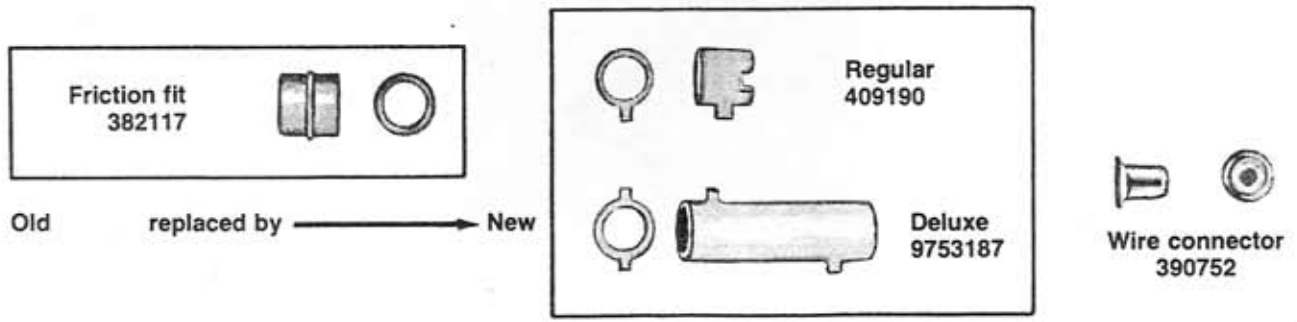
Install insulator

SERVICE UNIT	DESCRIPTION	CAM TYPE	SERVICE UNIT CONTAINS			
			CAM	INSULATORS 409190	INSULATORS 9753187	CONNECTOR 390752
7812210	Cancelling cam unit	Standard	✓	✓	✓	✓
7812211	Cancelling cam unit	tilt	✓	✓	✓	✓
7812212	Steering wheel conversion unit	standard or tilt col.	—	✓	✓	✓

**PARTS IDENTIFICATION
TURN SIGNAL CANCELLING CAMS**



HORN CONTACT ASSEMBLY INSULATOR



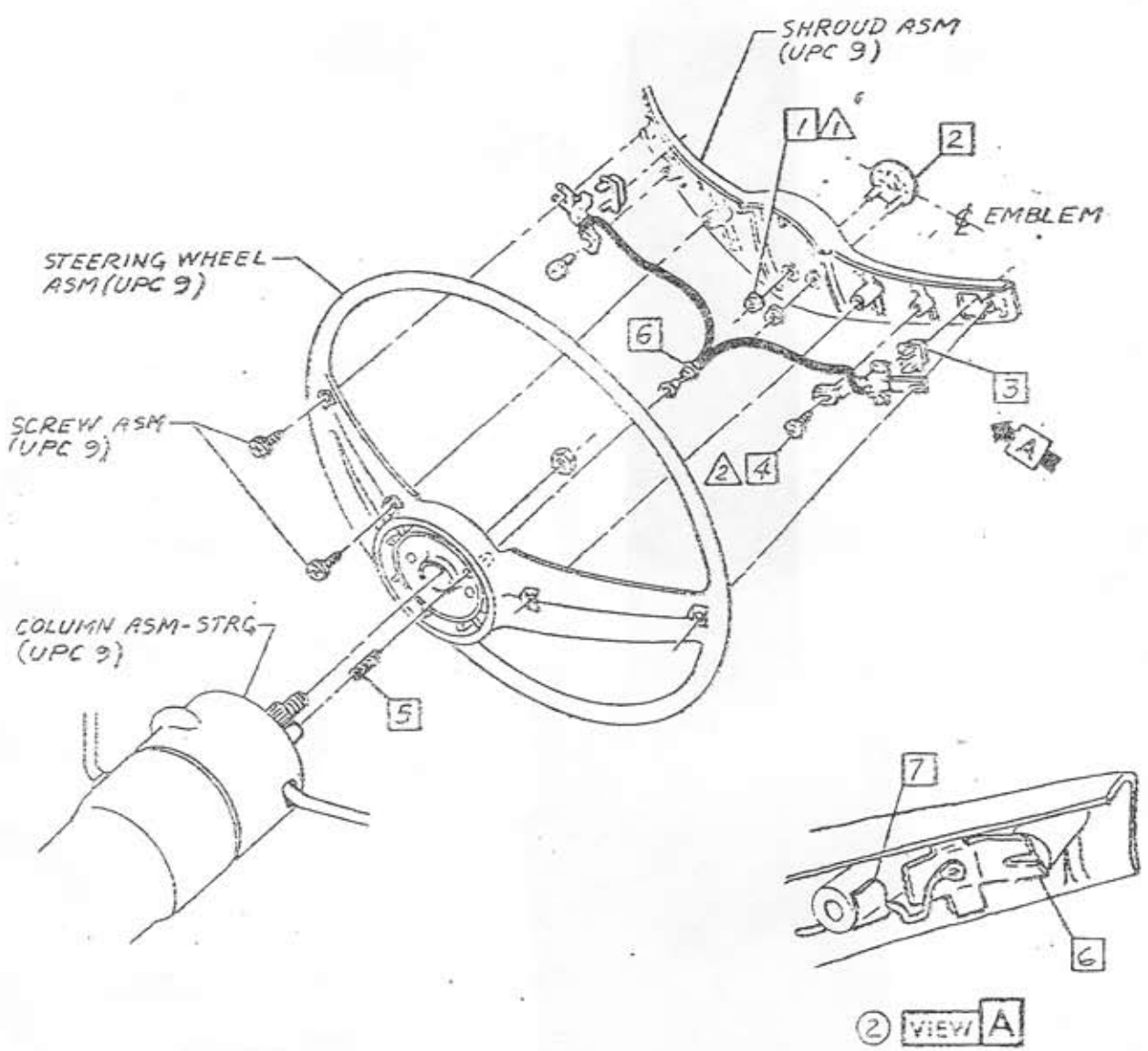


STEERING WHEEL ASSEMBLY INSTRUCTIONS

3940195

1969 CAMARO 12000 SERIES

- 1 9411486 NUT
- 2 3939755 EMBLEM
- 3 3939753-4 BUTTON-HORN L. & R.H.
- 4 9428575 SCREW ASM
- 5 382116 SPRING
- 6 3939740 CONTACT ASM
- 7 3724851 TAPE 1 IN., 1/2 in. each side used to tape horn contact wire to horn shroud attaching boss.



- △ 10 - 15 LBS IN.
- △ 15 - 20 LBS IN.
- △
- △

DESCRIPTION	QTY	UNIT	PRICE	TOTAL	DATE	BY	CHK
STEERING WHEEL HORN BUTTON & SHROUD EMBLEM	12						
12000	CS						
DATE 1-15-63 AM 10:32 L. 87610 L. DATE 1-10 6 1 L. L. L.							



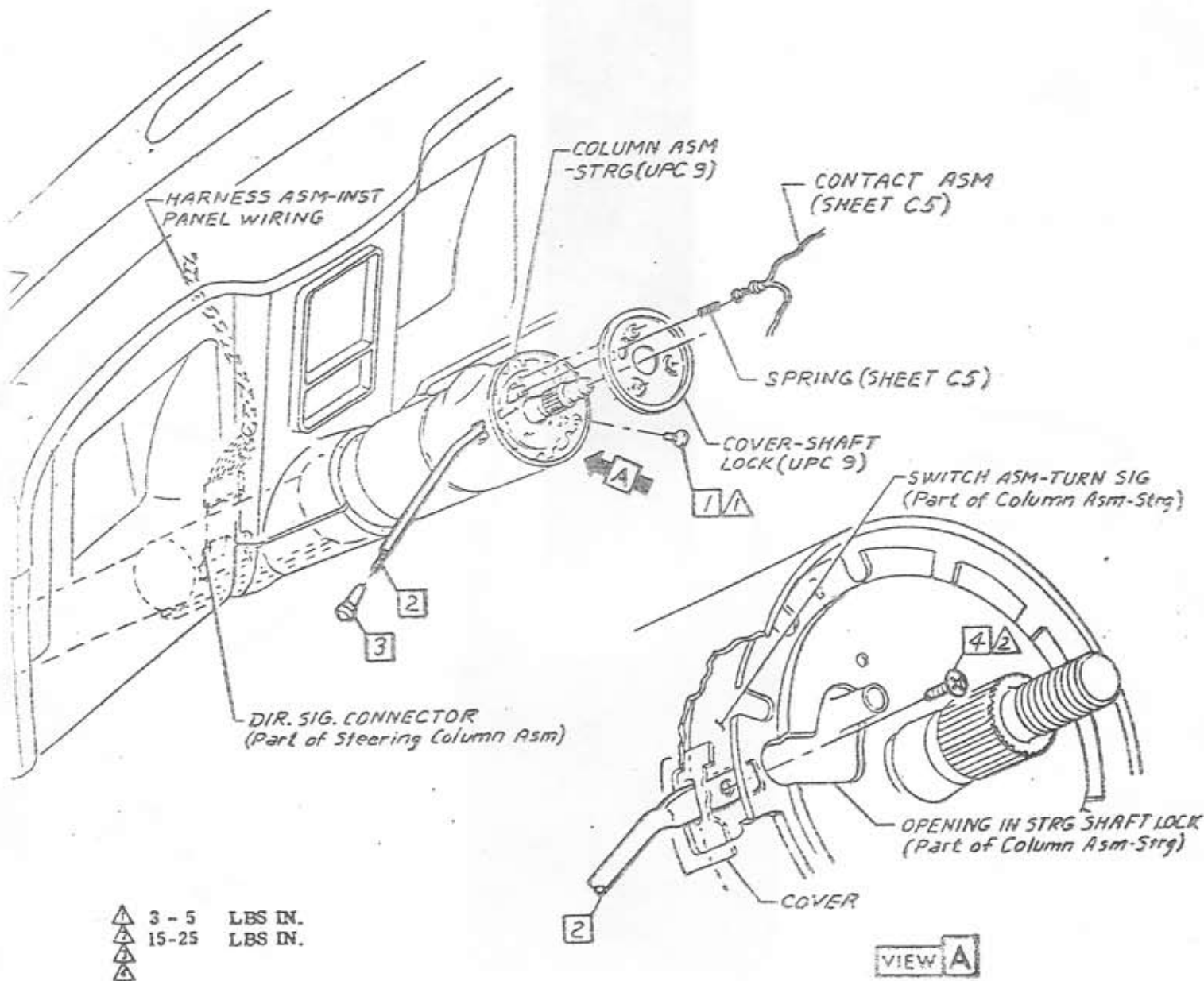
CHEVROLET

ASSEMBLY INSTRUCTIONS

3940195

1969 CAMARO 12000 SERIES

- 1 398165 KNOB ASM-HAZARD SW
- 2 3961517 LEVER-DIR SIG CONTROL
- 3 3921449 KNOB ASM-DIR SIG CONTROL
- 4 9420721 SCREW



CHEVROLET MOTOR DIVISION, GMC		UPC	DATE	TYPE	REVISION	RECORD	AUTH	DR	CR
T	DIRECTION SIGNAL LEVER & HAZARD SWITCH KNOB	12	12-11-68	B	REDESIGNED	97432	FM		
						97753	PM	RC	
M	12000	C1	12-11-68	9	SCREW	24632	CI	RC	
DNG REL 118 FM REF: P161.C2 L-97321 L-87636									
DATE REL. 4-29-69 DF + L-97679 L-59121 L-									