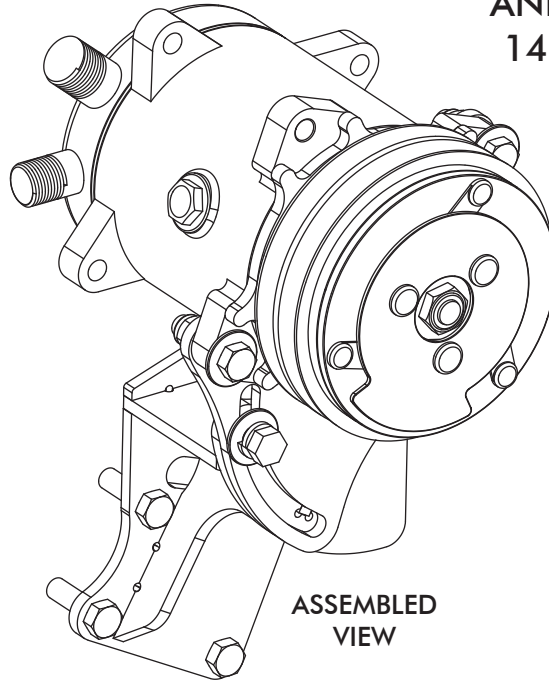
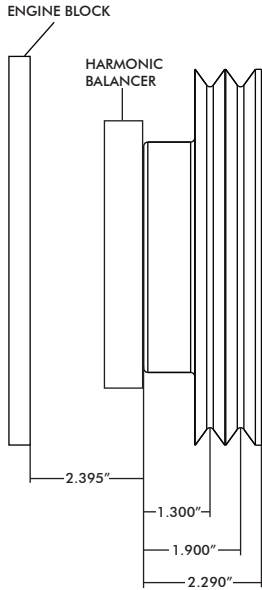
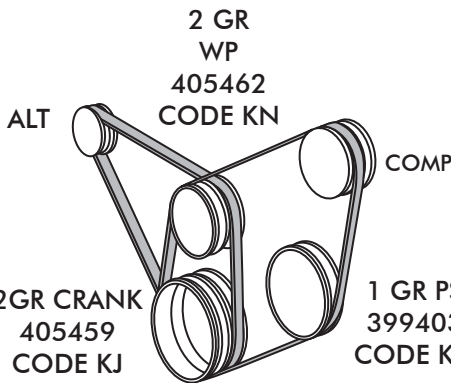


**350-455 OLDS DRIVER SIDE
 COMPRESSOR BRACKET FITS 1964-1977
 260, 307, 330, 350, 400, 403, 425
 AND 455
 141009**



ASSEMBLED VIEW



CRANK PULLEY GROOVES

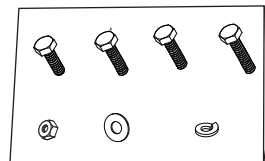
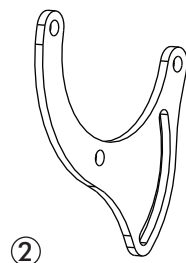
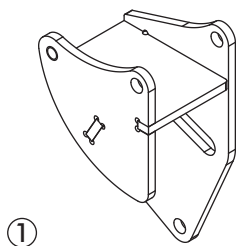
- 1. CRANK, WATER PUMP, COMPRESSOR & POWER STEERING
- 2. CRANK, WATER PUMP & ALTERNATOR

REQUIRES 2 GROOVE CRANK AND WATER PUMP PULLEY

BELT ROUTING

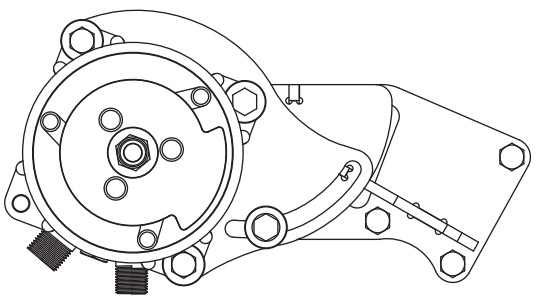
No.	QTY.	PART No.	DESCRIPTION
1.	1	141010	350-455 OLDS DR SIDE COMP BRACKET ASM
2.	1	146006-SCR	COMPRESSOR MOUNTING BRACKET
3.	1	191029	HARDWARE KIT

CHECKED BY: _____
 PACKED BY: _____
 DATE: _____

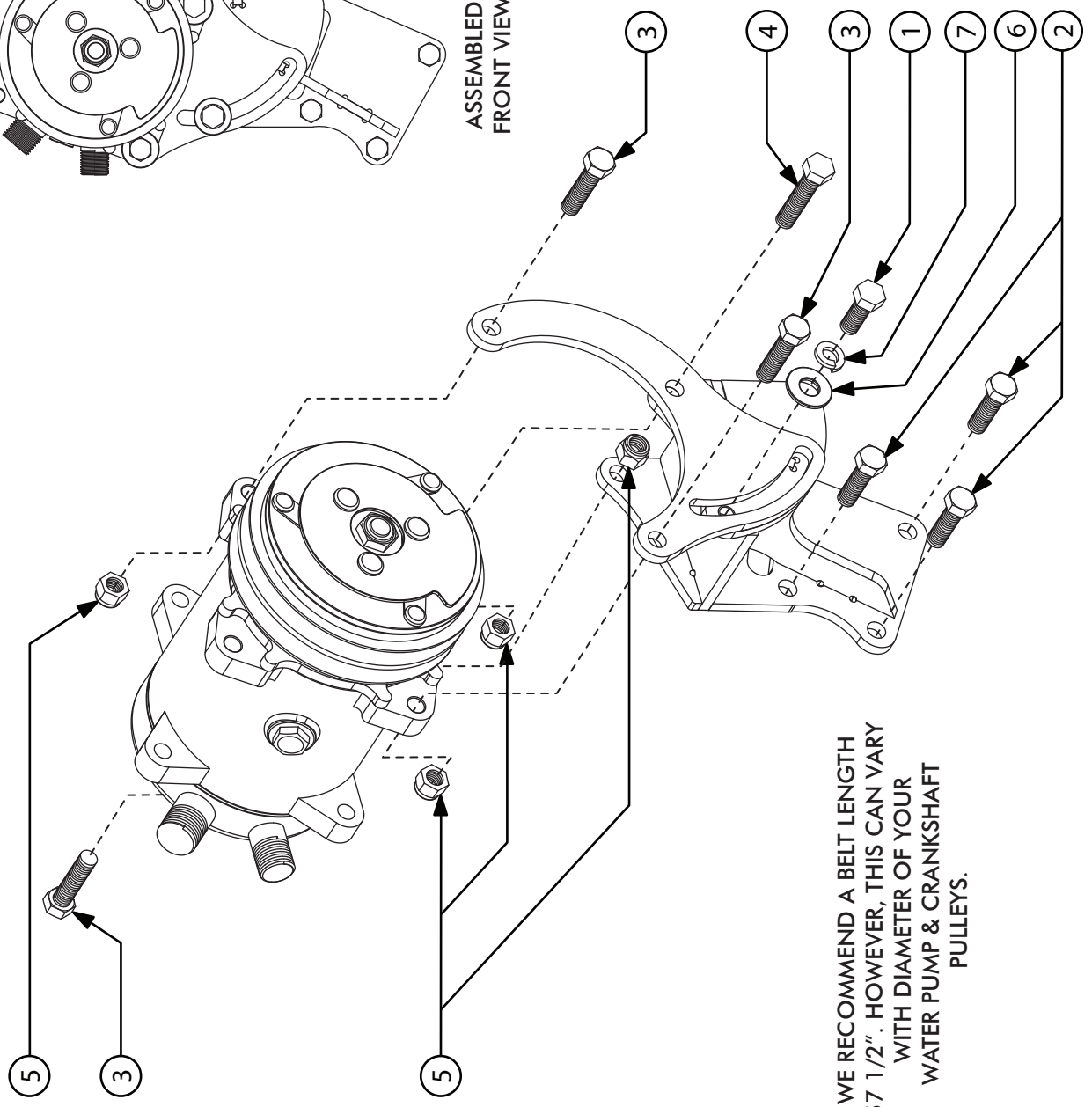




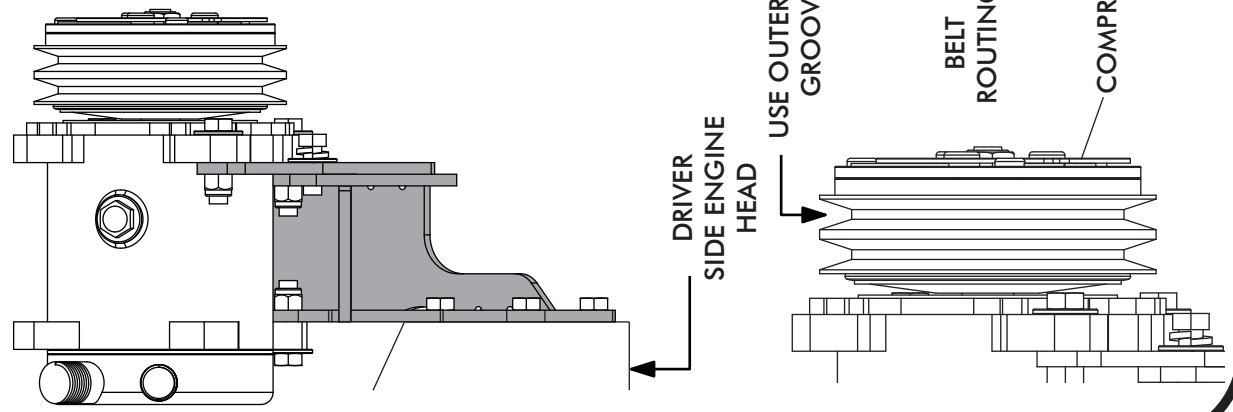
ASSEMBLE ALL BRACKETS LOOSELY TO ENGINE BEFORE TIGHTENING BOLTS, THIS WILL ENSURE PROPER ALIGNMENT OF ALL BRACKETS. REFER TO HARDWARE PACKING LIST FOR NUMBERED PART DESCRIPTIONS.



ASSEMBLED FRONT VIEW



WE RECOMMEND A BELT LENGTH 57 1/2". HOWEVER, THIS CAN VARY WITH DIAMETER OF YOUR WATER PUMP & CRANKSHAFT PULLEYS.





**141009 OLDS 350-455 DR SIDE COMP BRKT
FITS 1964-1977 260, 307, 330, 350, 400, 403, 425 AND 455**

DISASSEMBLY:

1. DISCONNECT BATTERY AND REMOVE OEM A/C COMPRESSOR, BELTS AND BRACKETS IF EQUIPPED.

ASSEMBLY:

1. INSTALL VINTAGE AIR 141010 COMPRESSOR BRACKET TO DRIVER SIDE CYLINDER HEAD. USE (3) 3/8-16 x 1 ¼" BOLTS. REFER TO ILLUSTRATION.
2. INSTALL 146006-SCR COMPRESSOR MOUNTING BRACKET TO THE COMPRESSOR USING (2) 3/8-16 x 1 ½" BOLTS AND (2) 3/8-16 LOCKNUTS ON COMPRESSOR TABS "B" AND "D". INSTALL COMP/MOUNTING BRACKET ASSEMBLY ONTO 141010 COMPRESSOR BRACKET USING COMPRESSOR TAB "C", 3/8-16 x 1 ¾" BOLT, AND 3/8-16 LOCKNUT. REFER TO ILLUSTRATION.
3. INSTALL 3/8-16 x 1 ½" BOLT AND 3/8-16 LOCK NUT TO REAR OF COMP TO COMPRESSOR BRACKET. REFER TO ILLUSTRATION.
4. INSTALL 3/8-16 x 1" BOLT, 3/8 FLAT WASHER AND 3/8 LOCK WASHER TO 146006-SCR TENSIONING SLOT. REFER TO ILLUSTRATION.
5. INSTALL DRIVE BELT. VINTAGE AIR RECOMMENDS A 13/32 x 57 ½" BELT (I.E GATES 7575).