



VHX-64C-CVL

Dakota Digital VHX Instrument Installation
For 1964-65 Chevelle, Malibu, & El Camino

Your new VHX-64C-CVL kit includes:

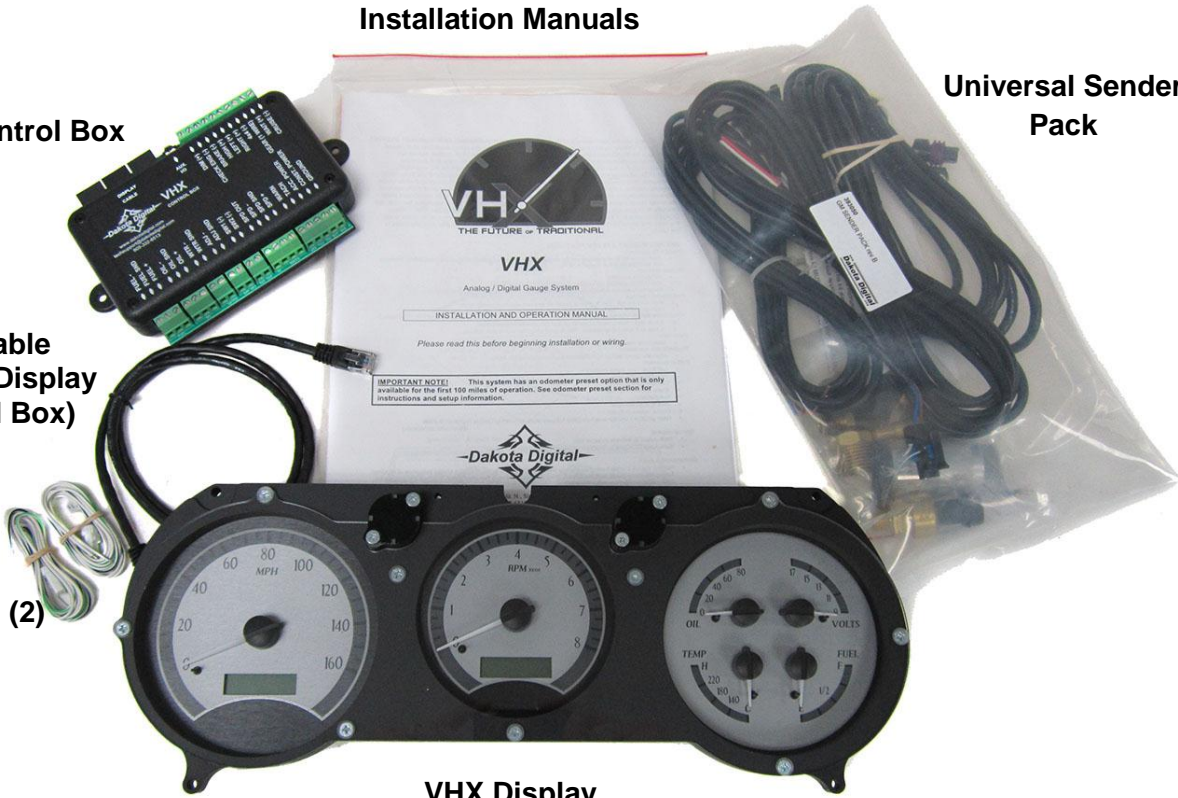
Installation Manuals

Universal Sender Pack

Control Box

CAT5 Cable (Connects Display to Control Box)

Blinker Harnesses (2)



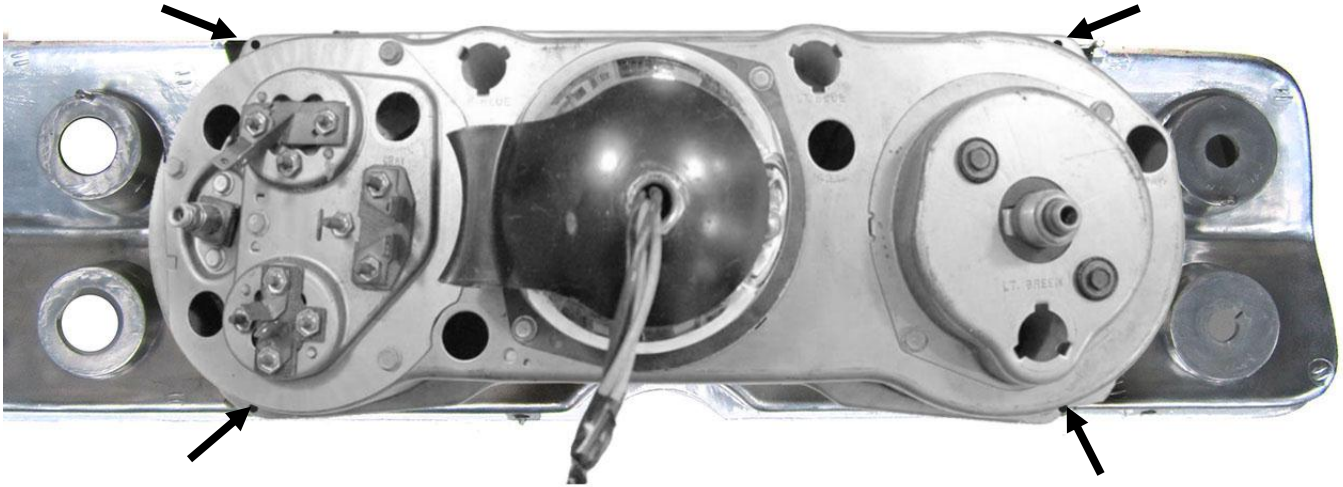
VHX Display

Installation

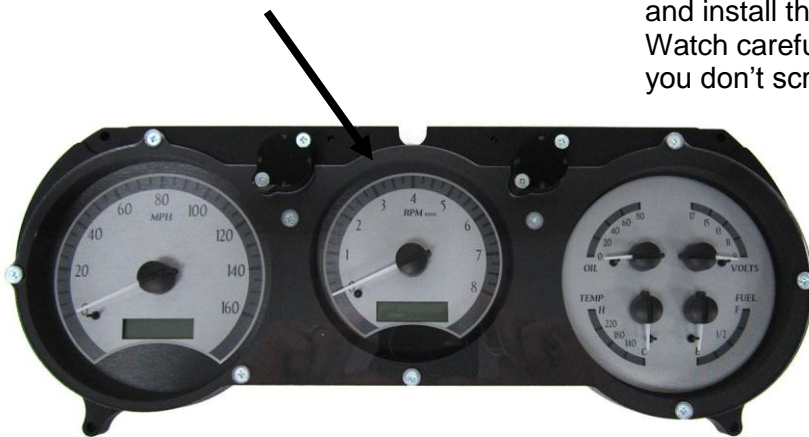
1. Remove the bezel from the dash.



2. Remove the stock gauge, and lens from the bezel. The only items to be reused are the original front bezel and the four screws securing the gauges to the bezel; the other pieces can be discarded. Now is a good time to clean the bezel and remove any dirt or old lens gasket material.



- 3a. Remove the protective tape from the clear lens and install the VHX system into the bezel. Watch carefully as you insert the system so you don't scratch or damage the lens.



- 3b. The VHX system should align tightly and the lens should sit flush with the bezel.

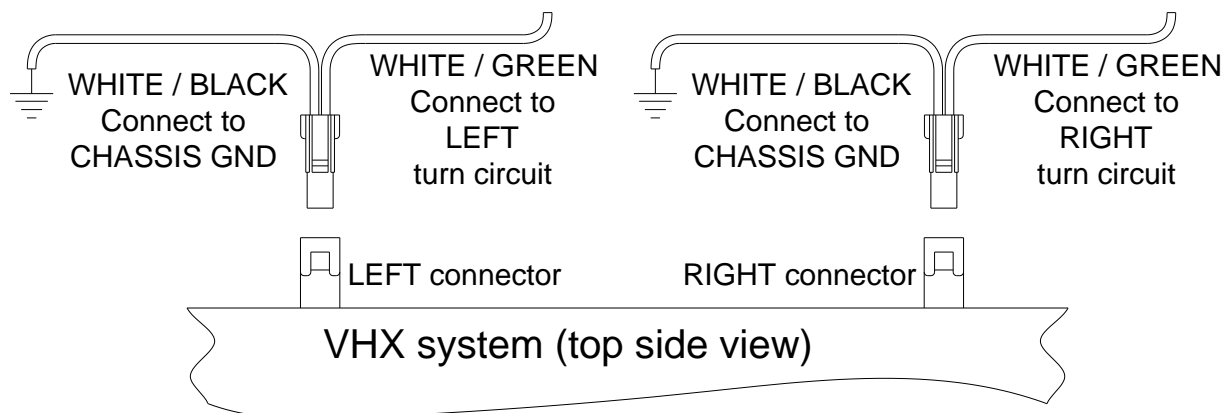


4. Secure the VHX system to the bezel using the four factory screws.

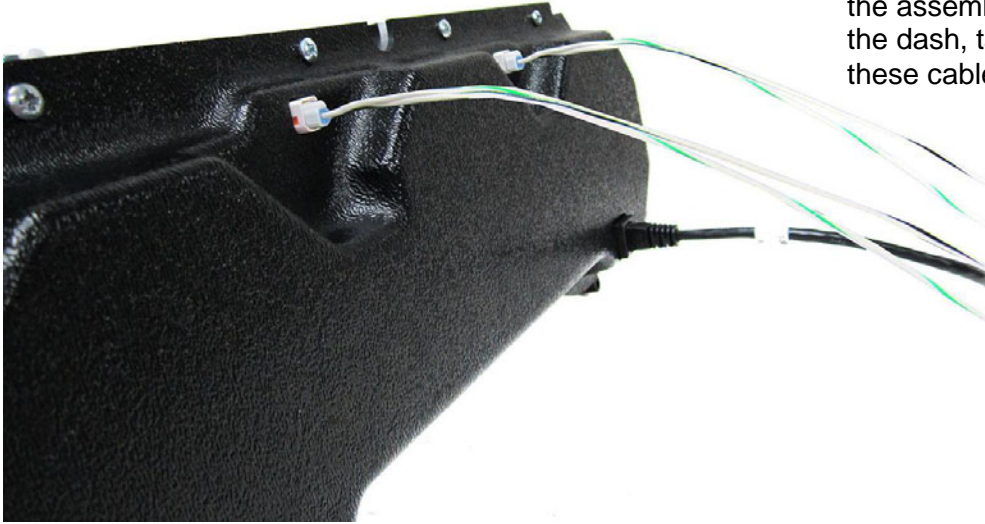


5. This system comes with the option to use two sets of turn signals in your dash: arrows located in the faceplate of your new VHX display, and arrows in your vehicle's stock turn signal locations. To use the new faceplate arrows, follow the wiring instructions for the turn signals found in the main VHX manual.

To optionally use the stock turn signal arrows, do not wire the turn signals to the VHX control box. Instead, use the two (2) provided two-wire harnesses. The harnesses plug directly into connectors on the back side of your new VHX system. Connect the wires from these harnesses to your turn signal circuits and ground as shown below. Doing this will light green LED bulbs, located in the original locations of your dash panel, when turn signals are active. Make sure to check left and right to verify they were wired correctly.



6. Connect the CAT5 cable and the two blinker harnesses to the system. As the assembled cluster is installed into the dash, take care when routing these cables to the control box.



7. Re-install the cluster into the dash and refer to the main manual for wiring instructions to complete the VHX installation.



4510 W. 61st St. N., Sioux Falls SD 57107
Phone: (605) 332-6513 Fax: (605) 339-4106
www.dakotadigital.com
dakotasupport@dakotadigital.com