

**Fenders**

Our reproduction fenders are manufactured to duplicate the originals in both fit and appearance. All fenders come EDP coated. Just as with original GM fenders, we recommend test fitting before painting.  
 No Volume Discount. All fenders ship Truck Freight to a commercial address.



RFX-1619

RFX-1619	1962-65 LH.....	194.95 ea.
RFX-1618	1962-65 RH.....	194.95 ea.



RFX-1619B

RFX-1619B	1966 LH.....	369.99 ea.
RFX-1619A	1966 RH.....	369.99 ea.



RFX-1619D

RFX-1619D	1967 LH.....	369.99 ea.
RFX-1619C	1967 RH.....	369.99 ea.



RFX-1617



RFX-1617	1968-69 LH.....	259.95 ea.
RFX-1616	1968-69 RH.....	259.95 ea.



RFX-1617B



RFX-1617B	1970-74 LH.....	259.95 ea.
RFX-1617A	1970-74 RH.....	259.95 ea.

**BUY'N SAVE WITH KITS**

RFW-68K

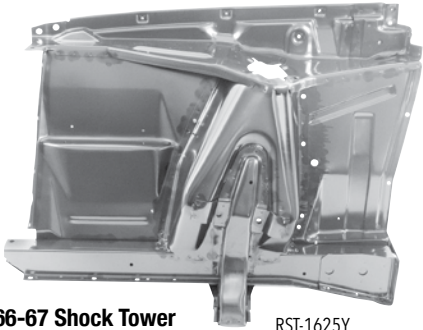


**Front Inner Fenders**

Brand new die-stamped inner fender wells. Buy the pair and save 10%!

RFW-1627	1968-74 LH.....	89.95 ea.
RFW-1626	1968-74 RH.....	89.95 ea.
RFW-68K	1968-74 Pair.....	161.91 kit

*Ships Oversize 2.*



**1966-67 Shock Tower & Apron Assembly**

This is a complete shock tower and apron assembly which is the perfect replacement for this commonly rotted out area.

RST-1625Z	1966-67 LH.....	659.95 ea.
RST-1625Y	1966-67 RH.....	659.95 ea.

No Volume Discount. Ships Oversize.

RST-1625Y



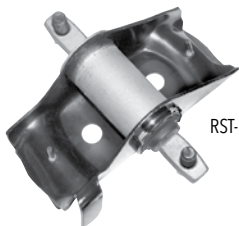
1962-67



RSS-1625W



RSS-1625U



RST-1627F

**1966-67 Shock Tower Components**

RST-1625X	Cap Black.....	32.95 ea.
1962-67	Cap Chrome.....	69.95 pr.
RST-1627F	Outer Panel LH.....	55.95 ea.
RST-1627E	Outer Panel RH.....	55.95 ea.
RSS-1625W	Top Spring Seat.....	24.95 ea.
DSP-62	Spring Saddle.....	89.99 pr.



RFB-1038L



RFB-1038R

**Inner Fender To Firewall Braces**

Correct steel braces that connect the inner fenders to the firewall.

RFB-1038R	1968-74 RH.....	19.95 ea.
RFB-1038L	1968-74 LH.....	19.95 ea.
RFB-1038K	1968-74 Pair.....	35.91 kit



RFW-621R

**1962-65 Front Inner Fender Apron Patch**

This is the frequently damaged apron on the RH side under the battery tray on early Novas.

RFW-621R	1962-65.....	69.95 ea.
----------	--------------	-----------



RSP-68L

**1968-74 Shock Tower Support Bolt Plate**

This is an OE style reproduction of the shock tower support bolt plate which is commonly rotted out.

RSP-68L	1968-74 LH.....	49.95 ea.
RSP-68R	1968-74 RH.....	49.95 ea.



RFB-1616C

**Front Fender Braces**

These lower fender extension braces connect the extension to the fender. These are special stamped braces and are exact reproductions for originals. Sold in pairs only.

RFB-1616A	1962-65.....	12.95 pr.
RFB-1616B	1966-67.....	12.95 pr.
RFB-1616C	1968-74.....	12.95 pr.



**Front End Fastener Kit**

Over 125 pieces all individually bagged to attach all of your front end sheet metal including fenders, grille, inner fenders, hood, etc.

BFE-7001	1962-67 All.....	45.95 kit
BFE-7002	1968-74 All.....	45.95 kit

RFP-X68L



**Fender Patches**

High quality fender patch which is perfect for repairing the commonly rusted area behind the front wheel.

RFP-X68L	1968-74 LH.....	62.95 ea.
RFP-X68R	1968-74 RH.....	62.95 ea.

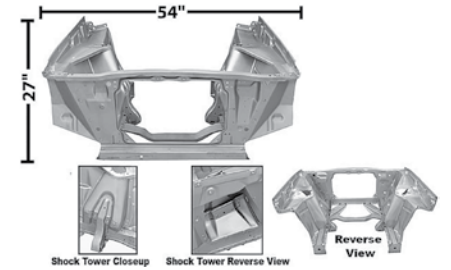


RX-1570

**Front Fender Louvers**

These reproduction front fender louvers are correct for 1969-70 Novas but will fit most 1968-72 models.

RX-1570	1968-72.....	68.95 pr.
---------	--------------	-----------

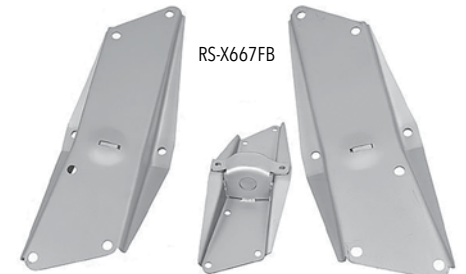


**1966-67 "Doghouse" Complete Front End Assembly**

Complete "doghouse" assembly including shock towers, radiator support and braces. Completely replaces your rusted out front end.

RDA-1625SWT	1966-67.....	2399.95 ea.
-------------	--------------	-------------

No Volume Discount. This item ships truck freight.



RS-X667FB

Underside View

**1966-67 Radiator To Frame Braces**

Correct braces to connect the radiator support to the frame rails.

RS-X667FB	1966-67.....	119.95 pr.
-----------	--------------	------------



RHG-68KWS



**Hood Hinge Kit 1968-79 Repro Style**

These are high quality reproduction hood hinges complete with springs and featuring a black EDP coating.

RHG-68KWS	1968-79 All LH & RH .....	109.95 kit
BPA-381	3/8" x 1" Bolt .....	0.65 ea.

Note: Bolts are not included.



MS149-40B



MS149-40P



**Eddie Motorsports Billet Hood Hinges**

These billet hood hinges are machined from 6061-T6 aluminum and will add an awesome custom touch to your engine compartment. They bolt-in and require no cutting of your sheet metal. Complete with stainless steel nitrogen gas shocks and all stainless steel fasteners.

- |                                    |                                   |                                    |
|------------------------------------|-----------------------------------|------------------------------------|
| <b>M</b> = Machined                | <b>P</b> = Polished               | <b>R</b> = Red Fusioncoat          |
| <b>B</b> = Blue Fusioncoat         | <b>W</b> = White Fusioncoat       | <b>PR</b> = Purple Fusioncoat      |
| <b>BK</b> = Gloss Black Fusioncoat | <b>BKA</b> = Gloss Black Anodized | <b>MB</b> = Matte Black Fusioncoat |
| <b>MBA</b> = Matte Black Anodized  | <b>CL</b> = Clear Coat            | <b>CA</b> = Clear Anodized         |

		<b>M</b>	<b>P</b>	<b>Colors</b>
MS149-40	1963-65 All .....	580.99 pr.....	635.99 pr.....	690.99 pr.
MS149-53	1966-67 Factory Clip.....	580.99 pr.....	635.99 pr.....	690.99 pr.
MS149-38	1966-67 Aftermarket Clip* .....	580.99 pr.....	635.99 pr.....	690.99 pr.
MS149-54	1968-79 All .....	615.99 pr.....	665.99 pr.....	720.99 pr.

\*For use with aftermarket front clip (subframe).



RHG-996L



**OE Style Pre-Assembled Hood Hinges**

These hood hinges are for the purist who won't settle for anything less than the best! Sold each or as a set of left and right hinges with the correct springs pre-installed. They feature an OE correct black phosphate coating just like the OEM.

RHG-142WSK	1966-67 All LH & RH .....	89.91 ea.
RHG-996K	1968-79 All LH & RH .....	179.99 kit
RHG-996L	1968-79 All LH .....	89.99 ea.
RHG-996R	1968-79 All RH .....	89.99 ea.
BPA-381	3/8" x 1" Bolt.....	0.65 ea.

Note: Bolts are not included.

RHG-667L

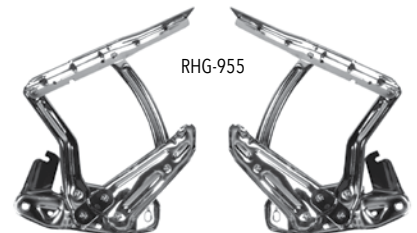


**Hood Hinges**

Your choice of high quality, exact reproduction hood hinges or GM hinges.

RHG-64R	1963-65 Repro RH .....	44.95 ea.
RHG-64L	1963-65 Repro LH .....	44.95 ea.
RHG-142R	1966-67 Repro RH .....	39.95 ea.
RHG-142L	1966-67 Repro LH .....	39.95 ea.
RHG-667R	1966-67 GM RH .....	119.99 ea.
RHG-667L	1966-67 GM LH .....	119.99 ea.
RHG-68R	1968-79 Repro RH .....	39.95 ea.
RHG-68L	1968-79 Repro LH .....	39.95 ea.
BPA-381	3/8" x 1" Bolt.....	0.65 ea.

RHG-955



**Chrome Hood Hinges**

OE quality chrome plated hood hinges stamped from high strength steel.

RHG-955	1966-67 All .....	360.99 pr.
---------	-------------------	------------





RHX-1600A

**Cowl Induction Hoods**

These are the hoods that GM should have made! Let people know your Nova means business with one of these awesome cowl hoods!

RHX-6265	1962-65 2" .....	329.95 ea.
RHX-1600A	1966-67 2" .....	329.95 ea.
RHX-1603	1968-72 2" .....	319.95 ea.
RHX-684	1968-72 4" .....	389.99 ea.
RHX-7374	1973-74 2" .....	369.95 ea.

All hoods ship truck freight to a commercial address. No volume discount.



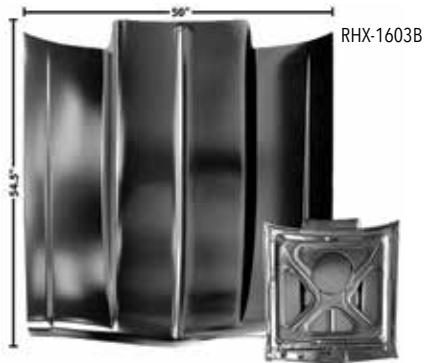
RHX-1602

**Standard Flat Hoods**

If factory stock is your style, these OE style reproduction standard hoods are a perfect replacement for rusty or dinged up originals.

RHX-1602	1962-65 .....	279.95 ea.
RHX-1600	1966-67 .....	269.95 ea.
RHX-68SS	1968-72* .....	319.95 ea.

\*Comes with brackets for SS hood louvers on underside of hood. Can be used on SS models. All hoods ship truck freight to a commercial address. No volume discount.



RHX-1603B

**1973-74 Cowl Hood w/ Bug Screen**

This hood is perfect when air cleaner clearance is an issue or when you simply want that serious muscle car look. This hood also features a unique rear bug screen to keep debris from entering your engine compartment.

RHX-1603B	1973-74 2" .....	459.95 ea.
-----------	------------------	------------

All hoods ship truck freight to a commercial address.

**Eddie Motorsports Billet Hood Latch Assembly**

CNC machined from a solid chunk of 6061-T6 aluminum and stainless steel. This is a direct replacement for your cheap stock stamped steel hood latch. The EMS billet hood latch kit comes complete with a billet aluminum base plate and billet stainless steel pilot bolt and retaining cup. Stainless steel fasteners and billet aluminum finishing washers are also included.

M = Machined Fusioncoat P = Polished R = Red B = Blue Fusioncoat W = White Fusioncoat PR = Purple Fusioncoat BK = Gloss Black Fusioncoat BKA = Gloss Black Anodized MB = Matte Black Fusioncoat MBA = Matte Black Anodized CL = Clear Coat CA = Clear Anodized



		M	P	Colors
MS276-16	1963-65 All .....	138.99 ea.	160.99 ea.	172.99 ea.
MS276-17	1966-67 All .....	138.99 ea.	160.99 ea.	172.99 ea.
MS276-18	1968-74 All .....	138.99 ea.	160.99 ea.	172.99 ea.



RHR-X68

**Hood Catch**

OE style reproduction. Mounts on underside of hood.

RHR-X625	1962-65 .....	49.95 ea.
RHR-X667	1966-67 .....	49.95 ea.
RHR-X68	1968-72 .....	51.95 ea.



RHL-1643C



RHL-1643B

**Hood Release**

OE style reproduction hood release to replace your rusty or missing original.

RHL-1643B	1966 All .....	89.95 ea.
RHL-1643C	1968-72 All .....	89.95 ea.



GCS-S4051

**Hood Pin Kit - Hair Pin Style**

Universal chrome hood pin kit for use on any vehicle.

GCS-S4051	All .....	10.99 kit
-----------	-----------	-----------



HPK-CHROME



HPK-BLACK

**Universal Hood Pin Kits Peel N Stick**

These hood pin kits are a great way to add that pro-touring/ racing look without drilling or cutting your hood. The pin mounts are either chrome plated or black aluminum with chrome pins and feature rubber coated cables. They attach with high quality double sided 3M adhesive tape.

HPK-BC	Chrome All .....	29.99 kit
HPK-BB	Black All .....	26.99 kit



RVL-1643



RHB-6972

**Hood Latch Support Brace**

New reproduction of original hood latch support brace which attaches to the radiator support

RVL-1602C	1963-64 All .....	41.95 ea.
RVL-1643	1966 All .....	39.95 ea.
RVL-1643D	1967 All .....	39.95 ea.
RHB-6972	1968-72 All .....	26.95 ea.



RHS-642

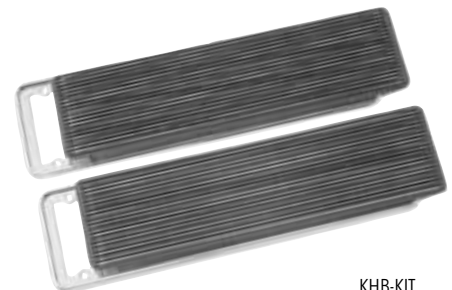


RHS-25

**Hood Hinge Spring**

Brand new high quality reproduction hood springs.

RHS-642	1963-65 .....	15.95 ea.
RHS-25	1966-79 .....	15.95 ea.



KHB-KIT

**1968-72 SS Hood Ornament Kit**

This complete 1968-72 Nova SS hood ornament kit comes with (2) louvers and (2) bezels to give your SS hood that finishing touch.

KHB-KIT	1968-72 .....	213.95 kit
---------	---------------	------------

**1962-65 Front Valance Panel**  
Excellent reproduction of the original lower valance panel on early cars with excellent fit and function.

RVP-1615A 1962-65 .....59.95 ea.  
*Ships UPS Oversize 2.*

**1966-67 Front Valance Panel**  
Correct filler panel which fits between the front bumper and the grille. Manufactured to original factory specifications

RX-1615B 1966-67 Filler.....79.95 ea.  
*Ships UPS Oversize 2.*

**1968-72 Front Valance Panel**  
Steel filler panel which installs below the plastic filler panel (RGF-1615D)

RX-1615C 1968-72 Reinforcement.....69.95 ea.  
*Ships UPS Oversize 2.*

**1968-72 Grille Filler Panel**  
Original plastic filler panel that installs between the grille and front bumper, directly above the steel reinforcement panel (RX-1615C)

RGF-1615D 1968-72 .....48.95 ea.  
*Ships UPS Oversize 2.*

**1968-72 Grille Filler Panel Kit**  
This Ground Up exclusive Nova parts kit includes a correct fiberglass grille filler panel and a correct steel grille filler reinforcement panel at a specially discounted kit price.

RGF-68KIT 1968-72 .....95.12 kit  
*Ships UPS Oversize 2.*



**Dash Top Panel**

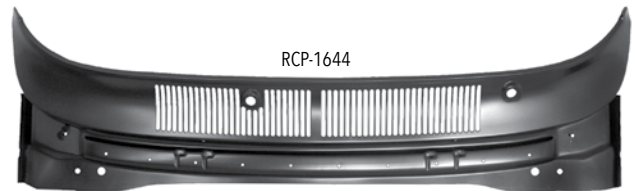
Correct reproduction of the inner metal dash panel assembly. Extends from the windshield area to the instrument panel assembly where the dash pad mounts. Welding is required when installing this panel.

RDP-439 1968-74 All .....69.95 ea.  
*Some years may require modification. Ships Oversize.*

**Outer Cowl Panels & Shoulders**

Excellent quality repair panels for these commonly rusted out areas.

RCP-1642A	1966-67 Outer LH .....	66.95 ea.
RCP-1642	1966-67 Outer RH.....	66.95 ea.
RCS-1642C	1966-67 Shoulder LH.....	112.95 ea.
RCS-1642B	1966-67 Shoulder RH .....	112.95 ea.
RCP-679L	1968-72 Outer LH.....	44.95 ea.
RCP-679R	1968-72 Outer RH.....	44.95 ea.
RCP-679K	1968-72 Outer LH & RH .....	80.91 kit



**Cowl Vent Panel**

Louvered sheet metal piece which installs directly below the windshield and behind the hood.

RCP-1644 1966-67 All .....239.95 ea.  
RCP-X68 1968-74 All .....164.95 ea.  
*Ships Oversize.*



**Upper Cowl Panel**

Complete upper cowl panel assembly replaces this commonly rusted out area.

RCP-68X 1968-74 .....174.95 ea.  
*This item ships Oversize 2.*



**Lower Cowl Panel**

This is a complete lower cowl panel assembly which replaces this entire area which is commonly rotted out.

RCP-1642D 1966-67 All .....239.95 ea.  
*Ships Oversize.*



**Radiator Support**

Excellent quality reproduction radiator support. Black EDP coated.

RS-32062 1962-64 All .....169.95 ea.  
RS-32065 1965 All .....169.95 ea.  
RS-32066 1966-67 All .....169.95 ea.  
RS-1641 1968-74 V8\* .....139.95 ea.

*\*Must be modified for big block. Ships Oversize 2.*

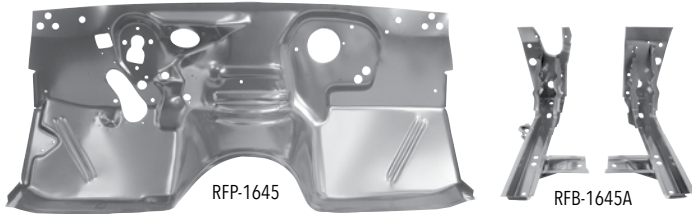


**Steel Dash Panel**

Excellent reproduction steel dash panels for your 1966-1967 or 1969-72 Nova. This will replace your damaged or rotted original perfectly.

RDP-X66 1966-67 All .....359.95 ea.  
RDP-X69 1969-72 All w/o AC.....259.95 ea.  
RDP-X69AC 1969-72 All w/ AC.....259.95 ea.

*This item ships Oversize 2.*



**Firewall & Brackets**

This is an OE style reproduction complete Nova firewall which will replace your rotted original exactly. The days of patching and welding in new firewall pieces are over. EDP coated to prevent rust and ready to prep, paint and install.

RFP-1645	1966-67 All Firewall .....	359.95 ea.
RFB-1645A	1966-67 All Brackets .....	239.95 pr.
RFW-X68	1968 w/o AC Firewall.....	269.95 ea.
RFW-X68AC	1968 w/ AC Firewall.....	279.95 ea.
RFW-X69	1969 w/o AC Firewall.....	279.95 ea.
RFB-67FL	1968-74 LH Firewall Bracket .....	.69.95 ea.
RFW-X69AC	1969 w/ AC Firewall.....	279.95 ea.
RFB-67FR	1968-74 RH Firewall Bracket .....	.69.95 ea.

Firewall Ships Truck Freight to a Commercial Address.



**Top Inner Cowl Panel**

Features a complete panel with wiper valley all in a sealed unit. This is a great item to repair your original rusted out top inner cowl panel area.

RCP-1072B	1968-74 .....	299.95 ea.
-----------	---------------	------------

This item ships Oversize 2.



**Window Tracks**

Correct lower track in front door that holds the window in place. This track moves up and down to move the window up and down. These tracks replace your old rusty and damaged window tracks.

RWT-1608	1962-65 Lower RH .....	62.95 ea.
RWT-1608A	1962-65 Lower LH .....	62.95 ea.

REG-X62FL



**Window Regulators**

Complete regulators with rollers.

**Front Manual Coupe**

REG-X62FL	1962-65 LH .....	89.99 ea.
REG-X62FR	1962-65 RH.....	89.99 ea.
REG-X66FL	1966-67 LH.....	89.99 ea.
REG-X66FR	1966-67 RH.....	89.99 ea.
REG-X69FL	1969-72 LH.....	99.99 ea.
REG-X69FR	1969-72 RH.....	99.99 ea.
REG-X69FL-4	1969-72 LH 4 Door .....	89.99 ea.
REG-X69FR-4	1969-72 RH 4 Door.....	89.99 ea.

**Rear Manual Coupe**

REG-X62RL	1962-65 LH .....	89.99 ea.
REG-X62RR	1962-65 RH.....	89.99 ea.
REG-X66RL	1966-67 LH.....	89.99 ea.
REG-X66RR	1966-67 RH.....	89.99 ea.
REG-X69RL	1969-72 LH .....	89.99 ea.
REG-X69RR	1969-72 RH .....	89.99 ea.
REG-X69RL-4	1969-72 LH 4 Door .....	89.99 ea.
REG-X69RR-4	1969-72 RH 4 Door.....	89.99 ea.



RDX-1623D

**Door Skins**

Door skins are perfect for repairing doors that have not rusted through the inner shell. These stamped steel panels replace your old rusty skin.

RDX-1621N	1962-65 RH.....	129.95 ea.
RDX-1621M	1962-65 LH .....	129.95 ea.
RDX-1621J	1966-67 RH.....	159.99 ea.
RDX-1621K	1966-67 LH .....	159.99 ea.
RDX-1623C	1968-74 RH.....	119.95 ea.
RDX-1623D	1968-74 LH .....	119.95 ea.

RDX-1623 will work on 1973-74 only if the original inner top rail is reused on the new skin. Ships Oversize 2.



RSH-X68L

**Door Shells**

Finally available! These exact reproduction door shells will save you hours over trying to repair original doors or line up skins!

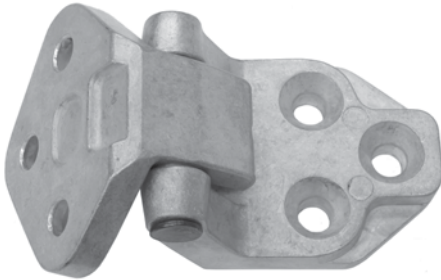
RSH-X62SL	1962-65 Sedan LH .....	349.95 ea.
RSH-X62SR	1962-65 Sedan RH.....	349.95 ea.
RSH-X62CL	1962-65 Coupe/Convertible LH .....	324.95 ea.
RSH-X62CR	1962-65 Coupe/Convertible RH.....	324.95 ea.
RSH-X66L	1966 LH.....	329.95 ea.
RSH-X66R	1966 RH.....	329.95 ea.
RSH-X67L	1967 LH.....	329.95 ea.
RSH-X67R	1967 RH .....	329.95 ea.
RSH-X68L	1968-72 LH .....	329.95 ea.
RSH-X68R	1968-72 RH.....	329.95 ea.

1962-65 sedan shells include door frame.

1971-72 models will require rewelding of the door hinges as factory.

Door shells must ship truck freight to a commercial address.





RDH-2236



RDH-406UL



RDH-2232



RDH-211LL

**1962-67 Door Hinges**

OE style reproduction replacement door hinges.

RDH-2236	1962-67 LH/RH Upper.....	49.95 ea.
RDH-2232	1962-67 RH Lower.....	59.95 ea.
RDH-2230	1962-67 LH Lower.....	59.95 ea.

*Upper can be modified to fit 1967.*

**1968-79 Door Hinges**

OE style reproduction replacement door hinges.

RDH-406UL	1968-79 Upper LH.....	45.95 ea.
RDH-406UR	1968-79 Upper RH.....	45.95 ea.
RDH-211LL	1968-79 Lower LH.....	49.95 ea.
RDH-211LR	1968-79 Lower RH.....	49.95 ea.
RDH-69FX-K	1968-79 Set of 4*.....	172.62 kit

*\*Not eligible for volume discount.*



**Door Hinge Hardware**

Correct OEM bolts and heavy spring.

BAV-2622	Phillips.....	2.99 ea.
BAV-2621K	1962-67 24pc Set*.....	35.82 kit
BAV-2623	Hex.....	2.99 ea.
BAV-2623K	1968-79 24pc Set*.....	57.41 kit
RHS-9	Spring.....	8.99 ea.

*\*Not eligible for volume discount*



**Hinge Detent Rollers**

Correct machined detent rollers for lower hinges.

RDR-689K	1968-74 All.....	21.99 pr.
----------	------------------	-----------



**Door Hinge Pin Kits**

Correct hinge pins and brass bushings for repairing all 4 of your door hinges.

BPX-1225	1968-74 (12 pc.).....	14.95 ea.
----------	-----------------------	-----------

*May require slight modification to hinges.*



**Door Strikers w/ Washer**

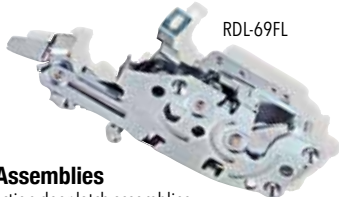
BPX-1275	GM Replacement.....	9.99 ea.
BPX-1299	Exact Reproduction*.....	11.99 ea.

*\*Correct Allen Head Zinc Plated*

**Door Latch Assemblies**

OE style reproduction door latch assemblies.

RDL-1621R	1966-67 RH.....	69.95 ea.
RDL-1621S	1966-67 LH.....	69.95 ea.
RDL-69FR	1969-74 RH.....	69.95 ea.
RDL-69FL	1969-74 LH.....	69.95 ea.
RDL-69FK	1969-74 Kit.....	111.92 kit

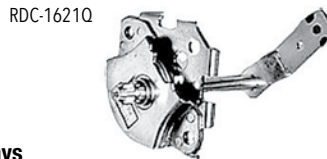


**Door Relays**

OE style reproduction of the original door controllers which will save you hours of frustrating repair work to your original.

RDC-1621P	1966 RH.....	39.95 ea.
RDC-1621Q	1966 LH.....	39.95 ea.
RDR-1621Y	1967 RH.....	38.95 ea.
RDR-1621Z	1967 LH.....	38.95 ea.

*1966 can be used on 1962-65 with slight modification.*



**Window Rollers**

Correct replacement window rollers.

WR-068	1963-65 Door.....	8.99 ea.
WR-78	1962-64 Door All.....	12.95 ea.
WR-76	1962-64 Lower Quarter All.....	8.95 ea.



**Window Roller Tool**

Allows you to easily install window rollers.

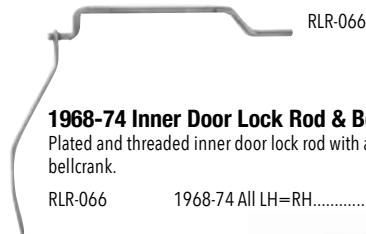
TRIM-WR	All.....	14.95 ea.
---------	----------	-----------



**1968-74 Inner Door Lock Rod & Bellcrank**

Plated and threaded inner door lock rod with attached bellcrank.

RLR-066	1968-74 All LH=RH.....	10.99 ea.
---------	------------------------	-----------



**Bellcrank Retainer**

Two required to mount one bellcrank to door frame.

RBR-067	1967-75 All.....	5.99 ea.
---------	------------------	----------



**Eddie Motorsports Billet Door Strikers**

Replace your plain steel strikers with these attractive Eddie Motorsports stainless steel door striker bolts. These billet striker bolts are cut with a Torx head.

MS277-20M	1968-79 Machined.....	47.99 pr.
MS277-20P	1968-79 Polished.....	53.99 pr.

*Not eligible for volume discount.*



**REC-070B**



**Door Opening Rod End Clips**

Spring steel retaining clips which attach the door opening rod to the door opening mechanism and the inner door lock rod end to the latch mechanism.

REC-070B	Various.....	4.99 pr.
----------	--------------	----------

**Quarter Panels**

If your original quarter panels are dented or rotted right through to the ground, these exact reproduction quarter panels are the perfect replacement! There is no need to spend a fortune on an NOS quarter because this reproduction features a complete door jamb area, complete trunk jamb area and full roof sail panel. These are extremely high quality pieces, so you can be sure to get the best fit possible. *No Volume Discount. All quarter panels ship Truck Freight to a commercial address.*

RFQ-1621X



- RFQ-1621W 1966-67 RH..... 339.95 ea.
- RFQ-1621X 1966-67 LH..... 339.95 ea.

RFQ-68XL



- RFQ-68XR 1968-69 RH..... 369.95 ea.
- RFQ-68XL 1968-69 LH..... 369.95 ea.

RFQ-70XL



- RFQ-70XR 1970-72 RH..... 369.95 ea.
- RFQ-70XL 1970-72 LH..... 369.95 ea.

RQS-X75R



- RQS-X75L 1975-79 LH 20"H x 76"L..... 119.95 ea.
- RQS-X75R 1975-79 RH 20"H x 76"L..... 119.95 ea.



RFQ-1621R

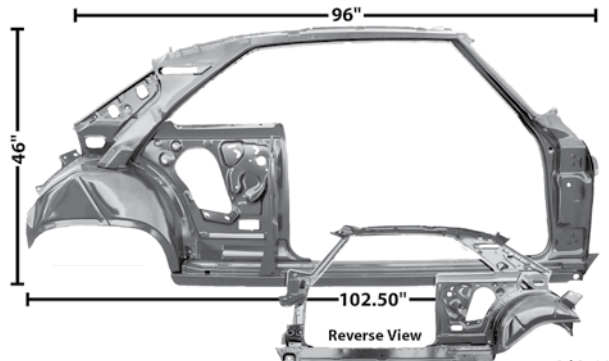
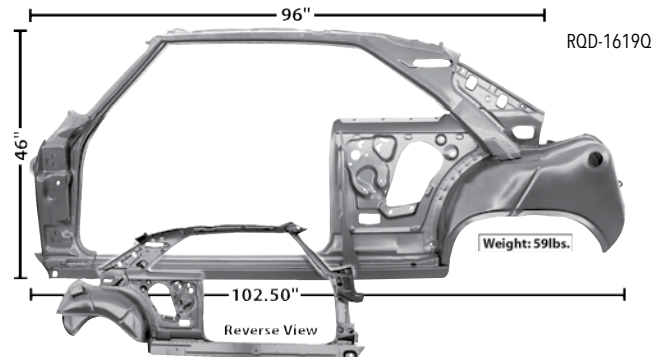
**95% Quarter Panels**

Complete and correct reproduction quarter panels are manufactured to exact factory tolerances. These 95% quarters are of the finest quality available today and come complete with trunk weatherstrip lip, correct doorjamb area, reinforced bumper bracket area and correct side marker cutouts. These OE style panels are made from brand new tooling.

- RFQ-1621R 1962-65 RH..... 259.95 ea.
- RFQ-1621L 1962-65 LH..... 259.95 ea.

*These will work for coupes or convertibles.*

*No Volume Discount. Ships truck freight to a commercial address.*



**1966-67 Quarter Panel & Door Frame Assembly**

This is a complete Nova quarter panel and door frame assembly. This massive piece of sheet metal includes the entire inner quarter panel and door structure as well as the windshield pillars, rocker panels and wheel houses just as pictured. This assembly will save you hours and dollars over having to custom fabricate your own pieces of metal to repair your old rusty structure.

- RQD-1619Q 1966-67 LH..... 1199.95 ea.
- RQD-1619P 1966-67 RH..... 1199.95 ea.

*No volume discount. Ships truck freight to a commercial address.*





RQR-X68L



RWA-X68L

**Quarter Panel Patches**

High quality, die stamped quarter panel patches which are perfect when only portions of your quarter panel are rotted out.

RQR-X68L	1968-72 Rear Lower LH .....	39.95 ea.
RQR-X68R	1968-72 Rear Lower RH .....	39.95 ea.
RWA-X68L	1968-72 Wheel Arch LH .....	45.95 ea.
RWA-X68R	1968-72 Wheel Arch RH.....	45.95 ea.
RWA-X68K	1968-72 Wheel Arch Pair.....	82.71 kit
RQR-X73L	1973-74 Rear w/ Arch LH.....	69.99 ea.
RQR-X73R	1973-74 Rear w/ Arch RH .....	69.99 ea.



RWH-1628C



RWH-1628D

**Outer Wheelhouse Assembly**

Brand new! Complete outer wheelhouse assemblies.

RWH-1628C	1966-67 RH .....	219.95 ea.
RWH-1628D	1966-67 LH .....	199.95 ea.

*Ships UPS Oversized 2.*



RQS-62R



RQS-X66R



RQS-X68R



RQS-X70L



RQS-73L

**Quarter Panel Skins**

These quarter panel repair skins offer a quick and inexpensive way to repair your original factory quarter panels without fully cutting them out. They extend from the upper belt line down. Fits all coupes and convertibles.

RQS-62L	1962-65 LH 26"H x 75"L .....	169.95 ea.
RQS-62R	1962-65 RH 26"H x 75"L.....	169.95 ea.
RQS-X66R	1966-67 LH 26"H x 75"L.....	169.95 ea.
RQS-X66L	1966-67 RH 26"H x 75"L.....	169.95 ea.
RQS-X68R	1968-69 RH 26"H x 75"L.....	139.95 ea.
RQS-X68L	1968-69 LH 26"H x 75"L.....	139.95 ea.
RQS-X70L	1970-72 LH 26"H x 75"L.....	139.95 ea.
RQS-X70R	1970-72 RH 26"H x 75"L.....	139.95 ea.
RQS-73L	1973-74 RH 20"H x 76"L.....	119.99 ea.
RQS-73R	1973-74 LH 20"H x 76"L.....	119.99 ea.
RQS-X75L	1975-79 LH 20"H X 76"L.....	119.95 ea.
RQS-X75R	1975-79 RH 20"H X 76"L.....	119.95 ea.

*No Volume Discount. Ships Truck Freight to a commercial address.*



RWH-68XL

**Rear Inner Wheelhouse**

OE style reproductions of the original inner wheelhouse panels.

RWH-68XL	1968-74 LH .....	109.95 ea.
RWH-68XR	1968-74 RH .....	109.95 ea.
RWH-68XK	1968-74 Inner LH-RH Pair .....	197.91 pr.

*Ships Oversize 2.*



RWH-1629R

**Rear Outer Wheelhouse**

OE style reproductions of the original outer wheelhouse panels.

RWH-1627R	1962-65 RH .....	89.95 ea.
RWH-1627L	1962-65 LH .....	89.95 ea.
RWH-1628R	1966-67 RH .....	89.95 ea.
RWH-1628L	1966-67 LH .....	89.95 ea.
RWH-1629R	1968-74 RH .....	89.95 ea.
RWH-1629L	1968-74 LH .....	89.95 ea.

*Ships Oversize 2.*

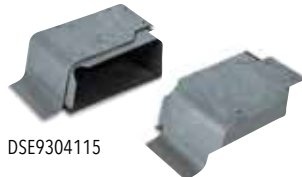


RTB-X62-1P

**1962-1974 Toe Boards**

Toe boards are the extension piece that connects the front floor pan to the firewall. This is an exact replacement for your rotted out original.

RTB-X62-1P	1962-67 Complete 1 Piece .....	149.99 ea.
RTB-X62L	1962-67 Left Side Only .....	74.99 ea.
RTB-X62R	1962-67 Right Side Only .....	74.99 ea.
RTB-X68-1P	1968-74 Complete 1 Piece .....	149.99 ea.
RTB-X68L	1968-74 Left Side Only .....	74.99 ea.
RTB-X68R	1968-74 Right Side Only .....	74.99 ea.



DSE9304115

**1962-67 DSE Torque Boxes**

This set of DSE torque boxes is required when using DSE's subframe connectors if you are not installing a DSE Quadralink rear suspension.

DSE9304115	1962-67 .....	114.99 pr.
------------	---------------	------------

*No volume discount.*



DSE040402

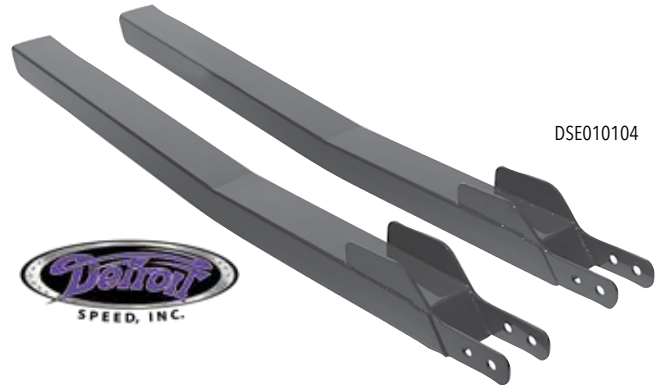


**DSE Deep Tubs**

Detroit Speed & Engineering deep tubs are inner wheel housings designed to accommodate wider tire and wheel packages. They are engineered for a perfect fit, retain a stock appearance and are stamped from 18 gauge steel. They allow for 335mm tires and 13" wide tires. Made in USA.

DSE040404	1962-67 All .....	494.99 pr.
DSE040402	1968-74 All .....	439.99 kit

*Ships Oversized. No volume discount.*



DSE010104



**DSE Subframe Connectors**

These uniquely designed DSE weld-in subframe connectors increase your car's stiffness by connecting the front subframe to the rear frame rails. DSE subframe connectors are fabricated from 2 inch x 3 inch x 0.120 inch wall rectangular steel tubing. Laser cut brackets are included that attach the rear of the subframe to the connector for an easy, strong and simple welded joint. Unlike others, the DSE subframe connectors are barely visible from underneath the car. The rear of the connector is tapered to attach to the rear frame rails and also has a laser cut slot that conforms to the rear seat floor pan. The connectors are bent and TIG welded in a fixture for accuracy and repeatability. DSE subframe connectors do not interfere with seat attachment hardware or the installation and removal of the rear leaf spring pocket. These can be installed on coupes and convertibles and the molded factory carpet will still fit over them. DSE weld-in connectors include templates, pictures and detailed instructions.

DSE010104	1962-67 All* .....	214.99 pr.
DSE010102	1968-74 All .....	214.99 pr.

*\* If not installing the Chevy 2 Quadralink you will need to purchase the DSE torque boxes.*

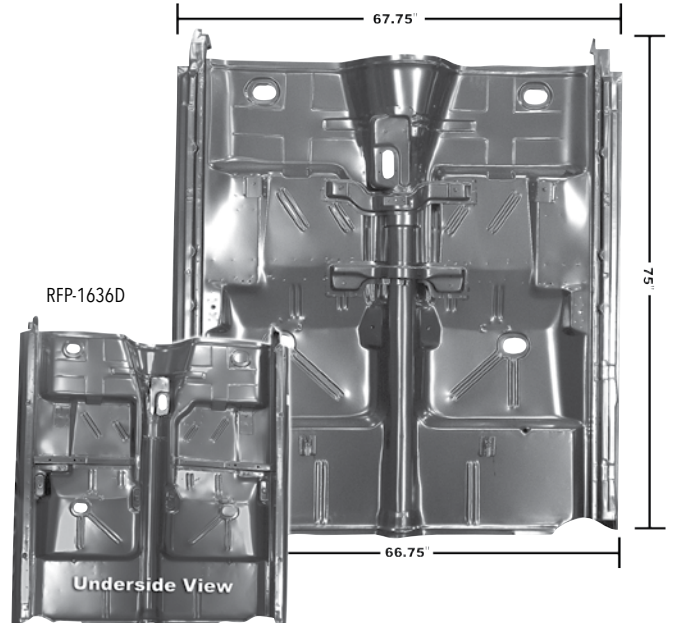




**1962-67 Full Floor w/ A/T Cutout**

This COMPLETE floor pan features transmission hump with cutout for automatic. It also features correct floor pan braces. This truly takes the hassle out of having to weld together your own replacement floor pan!

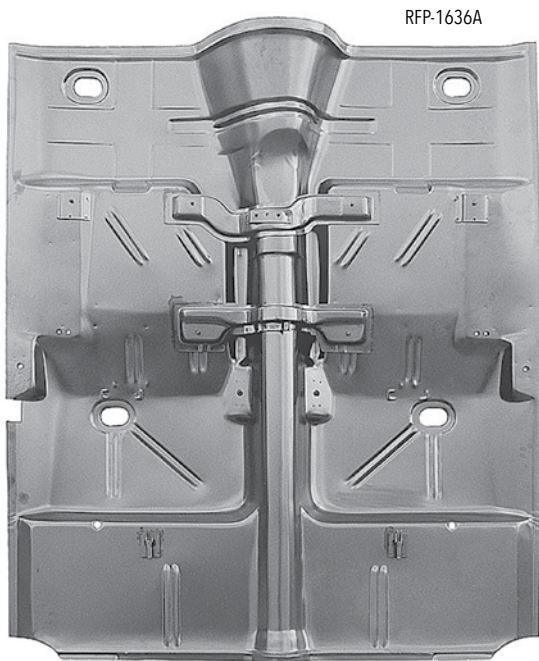
RFP-1636 1962-67 Automatic on Floor ..... 469.95 ea.  
 This item ships truck freight to a commercial address. No volume discount.



**1962-67 Full Floor with Rockers**

This is the ultimate replacement floor pan. This truly takes the hassle out of having to weld together your own replacement floor pan and rockers!

RFP-1636D 1962-67 Automatic ..... 979.95 ea.  
 This floor includes seat mounts and hole for automatic floor shift.  
 This item ships truck freight to a commercial address. No volume discount.



**1962-67 Full Floor**

This COMPLETE floor pan features transmission hump without any cutout for column shifted cars. It also features correct floor pan braces. This truly takes the hassle out of having to weld together your own replacement floor pan!

RFP-1636A 1962-67 No Hole..... 389.95 ea.  
 Cut for manual transmission and use ITW-4004 hump.  
 This item ships truck freight to a commercial address. No volume discount.



**1962-67 Full Floor with Rockers**

This is the ultimate replacement floor pan. This truly takes the hassle out of having to weld together your own replacement floor pan and rockers!

RFP-1636E 1962-67 No Hole..... 969.95 ea.  
 This floor does NOT include transmission hole or seat mounts.  
 Cut for manual transmission and use ITW-4004 hump.  
 This item ships truck freight to a commercial address. No volume discount.





RFP-1636A-DLX



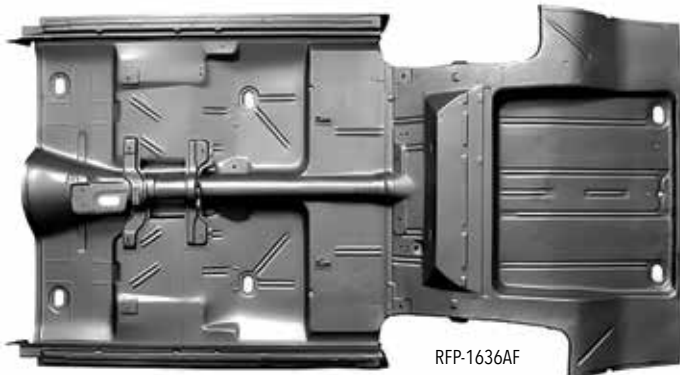
RFP-1636-DLX

**1962-1967 Nova Floor Assembly with Toe Board & Bucket Seat Brackets**

This convenient 1962-1967 Nova floor pan truly takes the hassle out of having to weld together your own replacement floor pan! It also features a complete toe board and correct seat mounting brackets.

RFP-1636A-DLX	1962-67 w/o Auto Shifter Hole .....	539.95 ea.
RFP-1636-DLX	1962-67 with Auto Shifter Hole .....	569.95 ea.

*This item ships truck freight to a commercial address. No Volume Discount.*



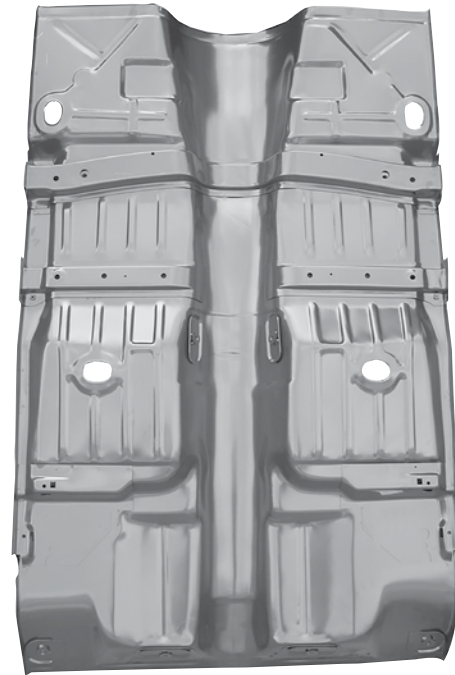
RFP-1636AF

**1966-67 Complete Floor/Trunk Pan**

This monstrous piece of sheet metal consists of our complete floor pan with rockers already attached to our complete trunk floor pan so you can replace the entire floor of your Nova in one shot! Measures approximately 129.5" long x 66.75" wide (front) x 64.75" wide (rear).

RFP-1636AF	1966-67 All .....	2295.95 ea.
------------	-------------------	-------------

*Due to the size and special handling requirements of this item, this item ships truck freight to a commercial address directly from the manufacturer. A minimum shipping & handling cost of \$499 applies. Please ask your sales rep for a shipping quote. No volume discount.*



RFP-X1968

**1968-74 Full Floor Pan w/ Braces**

This is a complete, brand new one piece floor pan assembly which includes all of the braces. This floor will eliminate the hassle of piecing together individual parts. Braces are included.

RFP-X1968	1968-74 All .....	499.95 ea.
-----------	-------------------	------------

*This floor includes seat mount.*

*This item ships truck freight to a commercial address. No volume discount.*



RFB-68X

**Floor Pan Braces**

These often rusted body braces attach under the front seat and rear of the car and extend across the car to reinforce the floor pan.

RFB-62F	1962-67 Front .....	64.95 ea.
RFB-62M	1962-67 Center .....	49.95 ea.
RFB-68X	1968-74 Front .....	69.95 ea.
RFB-68R	1968-74 Rear RH .....	52.95 ea.
RFB-68L	1968-74 Rear LH .....	52.95 ea.

*Ships UPS Oversize 1*



ITW-4004



ITW-4008

**Transmission Floor Hump**

This was the stamped steel hump that was factory installed on all 3 or 4 speed models.

ITW-4004	1962-67 Manual .....	69.95 ea.
RST-1636G	1962-67 Automatic .....	44.95 ea.
ITW-4008	1968-72 All w/ Console .....	69.95 ea.



RFP-1631

RFP-1630

**Half Floor Pans**

These exceptional quality reproduction floor pans will replace the original floor pans exactly and are all manufactured in the correct gauge metal with the same configurations and die-stamped patterns as the originals.

RFP-1630	1962-67 RH 27"W x 60"L	74.95 ea.
RFP-1631	1962-67 LH 27"W x 60"L	74.95 ea.
RFP-1634	1968-74 LH 20"W x 60"L	89.95 ea.
RFP-1635	1968-74 RH 20"W x 60"L	89.95 ea.

*Ships Oversize 2. No volume discount.*



RFP-681L

RFP-681R

**1962-74 Half Floor Pans with Tunnel**

This is a correct Nova half floor pan complete with transmission tunnel hump. Unlike other half floor pans that lack the transmission tunnel, this floor pan will literally seam together with the other half, offering a complete replacement.

RFP-X621L	1962-67 LH	69.95 ea.
RFP-X621R	1962-67 RH	69.95 ea.
RFP-681L	1968-74 LH	94.95 ea.
RFP-681R	1968-74 RH	94.95 ea.

*Ships Oversize 2. No volume discount.*



**1962-67 Quarter Floor Pans**

These are correct Nova floor pan quarters complete with the transmission tunnel hump. These are more complete than the other floor pan patches out there and will make repairing your floor a snap.

RFP-X62FL	1962-67 LH Front	89.95 ea.
RFP-X62FR	1962-67 RH Front	89.95 ea.
RFP-X62RL	1962-67 LH Rear	36.95 ea.
RFP-X62RR	1962-67 RH Rear	36.95 ea.

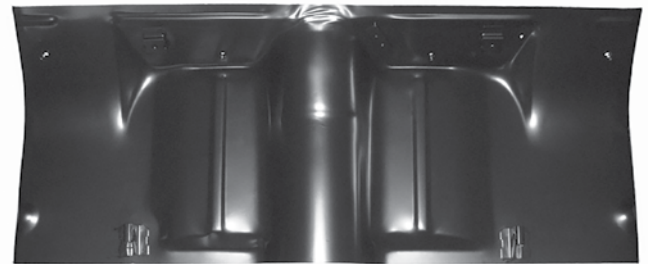


**Factory Style Bucket Seat Brackets**

These are OE style reproduction bucket seat brackets which are designed for factory seat tracks. These brackets are essential when converting from bench to buckets or when replacing your floor pan.

ICC-1636C	1962-67	129.95 pr.
ICC-50768	1968-71	99.95 set
IBX-X1	1968-72*	75.95 kit
IBX-RELO	All 4pc**	32.95 kit

*\*Does one car. \*\*Technically correct for 1969-71 but fits 68-72 with low back seats.*



**1962-74 Rear Seat Floor Pan**

RFP-68U

Complete under rear seat floor pan w/ braces.

RFP-1632B	1962-67 All w/ Braces	269.95 ea.
RSP-X62	1962-67 Full w/o Braces	69.95 ea.
RSP-X62L	1962-67 Left Side	39.95 ea.
RSP-X62R	1962-67 Right Side	39.95 ea.
RFP-68U	1968-74 All Complete	119.95 ea.
RFP-68UL	1968-74 Left Side	59.95 ea.
RFP-68UR	1968-74 Right Side	59.95 ea.

*Ships Oversize*



**1968-74 Rear Seat Mounting Brackets**

This rear seat mounting bracket will replace your rusted out original perfectly.

RSB-X68L	1968-74 LH	59.95 ea.
RSB-X68R	1968-74 RH	59.95 ea.



**1968-72 Rear Deck Package Tray Panel**

This Nova rear seat shelf panel replaces the commonly rusted area under the rear deck package tray.

RPT-X68 All Coupe .....169.95 ea.  
Ships Oversize.



**Kick Panel Supports**

This piece attaches on the front of the rocker panel and retains the kick panel. This is an OE style replacement for this often rotted out area.

KPS-682L 1968-74 LH .....49.95 ea.  
KPS-682R 1968-74 RH .....49.95 ea.



RRP-4010L



RIP-X68L



RRP-X68L

**Rocker Panels**

Correct factory style outer rocker panels which are die-stamped and EDP coated and match the original factory mounting points.

RRP-4010L 1962-67 LH Full Outer..... 119.95 ea.  
RRP-4010R 1962-67 RH Full Outer..... 119.95 ea.  
RRP-66L 1966-67 Complete LH..... 239.95 ea.  
RRP-66R 1966-67 Complete RH..... 239.95 ea.  
RIP-X68L 1968-72 Full Inner LH..... 99.95 ea.  
RIP-X68R 1968-72 Full Inner RH..... 99.95 ea.  
RRP-X68L 1968-79 Full Outer LH..... 109.95 ea.  
RRP-X68R 1968-79 Full Outer RH..... 109.95 ea.  
RIP-1665L 1968-79 Full Inner w/ Kick Panel Support LH..... 164.95 ea.  
RIP-1664R 1968-79 Full Inner w/ Kick Panel Support RH..... 164.95 ea.

Ships Oversized.



**Frame Rail Braces**

Correct front and rear frame rail braces which are highly recommended when replacing your frame rails.

RFB-1632F 1966-67 Front LH ..... 54.95 ea.  
RFB-1632E 1966-67 Front RH ..... 54.95 ea.  
RFB-1632D 1966-67 Rear LH ..... 29.95 ea.  
RFB-1632C 1966-67 Rear RH ..... 29.95 ea.



RFR-646

**Subframe Repair**

Choose our 6 piece repair kit to repair your rusted out body mount points on the frame.

RFR-646 1968-74 6pc..... 56.99 kit



RFR-1632Z



RFR-1632Y

**Frame Rails**

The days of scavenging through junkyards are over! Stop looking for a donor car and get one of these rear frame rails to repair this often rusted out piece! Each frame rail is made of high quality steel and is exact to original.

RFR-1632Z 1966-67 LH ..... 269.95 ea.  
RFR-1632Y 1966-67 RH ..... 269.95 ea.  
RFR-X8L 1968-74 LH ..... 249.95 ea.  
RFR-X8R 1968-74 RH ..... 249.95 ea.  
Ships Oversized.



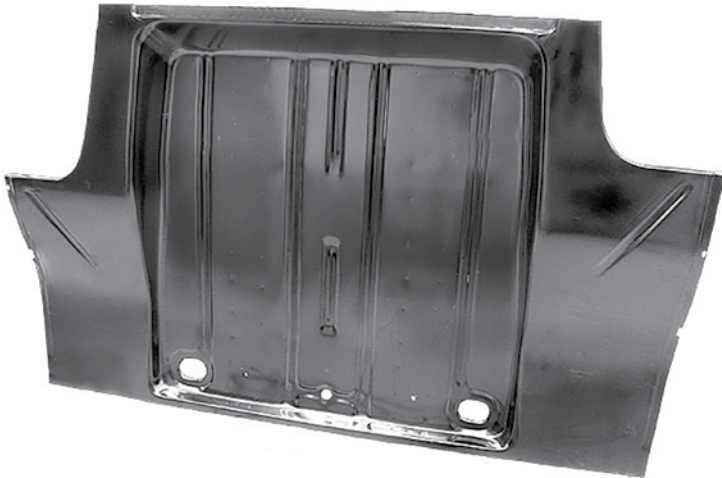
FCM-1625P

**1966-67 Engine Crossmember**

This is an exact reproduction of the original engine cradle which will replace your rotted or damaged original exactly.

FCM-1625P 1966-67 All..... 139.95 ea.





RTF-1632A

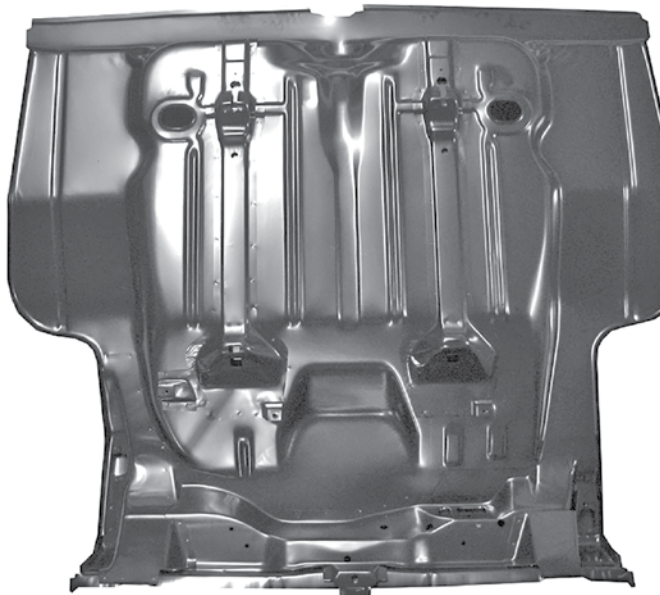


**Complete Trunk Floor Pan**

Brand new! Manufactured to OE style original factory specifications, these stamped floor pans include all necessary straps for a hassle free installation!

RTF-1632A 1962-67 ..... 399.95 ea.

*This item ships truck freight to a commercial address. No volume discount.*



RTF-X71



**Complete Trunk Floor Pan**

This is a complete Nova trunk floor with braces for a hassle free installation. This full trunk floor will save you a lot of time and money over piecing together or attempting to patch your original rotted trunk floor pan.

RTF-X68F 1968-70 All..... 399.95 ea.

RTF-X71 1971-72 All..... 399.95 ea.

*No Volume Discount. Ships Truck Freight to a commercial address.*



RTF-62-3P

**1962-1967 Nova Trunk Floor Kit 3 Piece**

This is a complete 3 piece trunk floor pan to patch and repair your original trunk.

RTF-62-3P 1962-67 ..... 139.95 kit

*No volume discount.*



RTF-1632



RTF-X68



RTF-1633

**Center Trunk Floor Pans**

Correct die stamped center trunk floor pans, perfect when only the center is rusted out.

RTF-1632 1962-67 39" x 39" ..... 89.95 ea.

RTF-X68 1968-72 47" x 37" ..... 109.95 ea.

RTF-1633 1968-72 39.5" x 30.5" (Small) ..... 79.95 ea.

*Ships Truck Freight to a commercial address.*



RTE-66R



RTE-68L

**Trunk Floor Drop Offs**

Die stamped panels that extend between the quarter panel and trunk floor (commonly known as drop offs).

RTE-62L	1962-65 LH	59.95 ea.
RTE-62R	1962-65 RH	59.95 ea.
RTE-66L	1966-67 LH	39.95 ea.
RTE-66R	1966-67 RH	39.95 ea.
RTE-68L	1968-74 LH	39.95 ea.
RTE-68R	1968-74 RH	39.95 ea.



REC-3068L

**Trunk Floor Drop Off End Cap**

Correct end cap for the trunk floor drop off (floor to quarter panel extension).

REC-3068L	1968-72 LH	25.95 ea.
REC-3068R	1968-72 RH	25.95 ea.

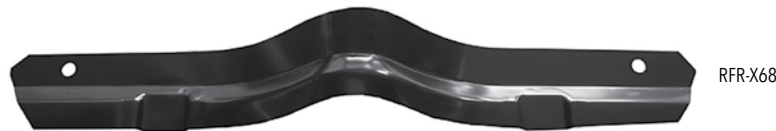


RTE-68EL

**Trunk Floor Extensions**

OE style reproduction trunk floor extension.

RTE-62EL	1962-67 LH	49.95 ea.
RTE-62ER	1962-67 RH	49.95 ea.
RTE-68EL	1968-72 LH	59.95 ea.
RTE-68ER	1968-72 RH	59.95 ea.



RFR-X68



RFR-X68R

**Rear Trunk Cross Rails**

OE style reproduction front and rear cross rails which weld to the trunk floor for support.

RFR-X62	1962-65 Rear Cross Rail	124.99 ea.
RFR-X68	1968-74 Front Cross Rail Only	79.95 ea.
RFR-X68R	1968-72 Complete Rear Assembly	199.95 ea.



RDP-100

**Trunk/Floor Pan Drain Plug**

Correct die stamped floor drain plug.

RDP-100	1962-74	3.95 ea.
---------	---------	----------

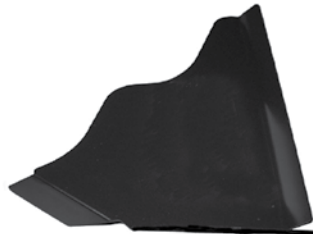


RSM-681B

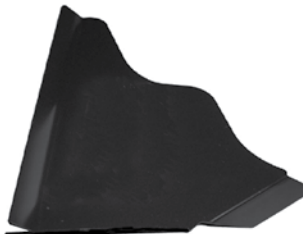
**Rear Shock Mount**

Correct Weld-in rear shock mounting point.

RSM-681B	1968-74	14.95 ea.
----------	---------	-----------



RBF-682L



RBF-682R

**Cross Bar Filler Panels**

Correct rear cross bar filler behind rear seat panel.

RBF-682L	1968-74 LH	13.95 ea.
RBF-682R	1968-74 RH	13.95 ea.



RRB-684L

**Rear Side Rail Brace**

OE style reproduction rear side rail reinforcement piece.

RRB-684L	1968-74 LH	32.95 ea.
RRB-684R	1968-74 RH	32.95 ea.



RTB-100



RTB-68X

**Trunk Floor Fuel Tank Brace**

Die stamped steel trunk floor braces that the gas tank straps attach to and are welded to the bottom side of the trunk floor.

RTB-100	1962-67	29.95 ea.
RTB-X68	1968-74	74.99 ea.
RTB-X68K	1968-74 LH/RH	134.98 kit



RGB-68XL



RGB-70XL

**Trunk Gutter Side Braces**

Correct stamped steel side braces which support the trunk gutter.

RGB-625XL	1962-65 LH	29.95 ea.
RGB-625XR	1962-65 RH	29.95 ea.
RGB-68XL	1968-69 LH	44.95 ea.
RGB-68XR	1968-69 RH	44.95 ea.
RGB-70XL	1970 LH	44.95 ea.
RGB-70XR	1970 RH	44.95 ea.
RGB-71XL	1971-72 LH	44.95 ea.
RGB-71XR	1971-72 LH	44.95 ea.



**Trunk Lid**

Reproduction trunk lids are now available featuring die-stamped steel and top quality craftsmanship!

RT-1603X	1962-64.....	339.95 ea.
RT-1603Y	1965.....	339.95 ea.
RT-1604	1966-67.....	319.95 ea.
RT-1605	1968-74.....	199.95 ea.

All trunk lids ship truck freight only. No volume discount.

RT-1605



RTL-6470

**Trunk Catch**

Used to latch the trunk lid and make the adjustment in the catch.

RTL-6470	1964-70.....	23.99 ea.
----------	--------------	-----------

**Trunk Catch Anchor**

Welds to the center of the rear body panel to provide the mounting location for the catch. Stamped steel.

RSA-550	1968-70.....	44.99 ea.
---------	--------------	-----------



RSA-550

**Trunk Lid Latch**

OE style reproduction of the often damaged or missing trunk latching device.

RTL-1019	1962-72 All.....	29.95 ea.
TLB-716	1962-79 Latch Bolts.....	8.99 set



RTL-1019



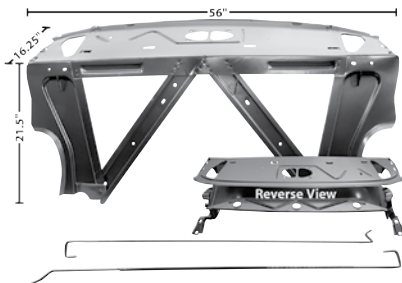
RTP-1615

**Rear Window to Trunk Panel**

Correct reproduction of the original panel that installs between the rear window and trunk lid.

RTP-1615	1966-67.....	69.95 ea.
RTP-1968	1968-74.....	79.95 ea.

*Ships Oversize.*



RTD-1632H

**Trunk Divider / Package Shelf & Supports**

Complete assembly to replace this commonly rusted out area. Includes trunk torsion rods. Supports are sold separately.

RTD-1632H	1966-67 Assembly.....	499.95 ea.
RPT-1632K	1966-67 Supports.....	29.95 pr.
RLS-1606	1966-67 Torsion Rods Only.....	44.95 ea.
RPT-X68	1968-72 Package Tray Panel.....	169.95 ea.

*Ships Oversize 2.*

**Rear Body Panels – Tail Light Panels**

Correct die-stamped reproductions of the rear tail light panels including correct cut outs for tail light assemblies.



RP-6265



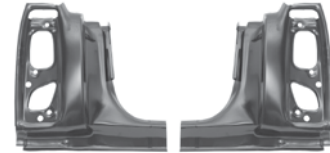
RP-62-X

RP-6265	1962-65 Upper With Gutter.....	169.95 ea.
RP-62-X	1962-64 Complete.....	269.95 ea.



RP-1621C	1962-64 RH.....	59.95 ea.
RP-1621D	1962-64 LH.....	59.95 ea.

*Panels can be used on 1965 with modifications.*



RP-1621V	1966-67 RH.....	59.95 ea.
RP-1621U	1966-67 LH.....	59.95 ea.



RP-1623Z	1966-67.....	104.95 kit
----------	--------------	------------



RP-1623Y	1966-67 Complete.....	299.95 ea.
----------	-----------------------	------------



RP-1624	1968-69.....	99.95 ea.
---------	--------------	-----------



RP-1625	1970-72.....	99.95 ea.
---------	--------------	-----------



RP-1626	1973-74.....	119.99 ea.
---------	--------------	------------

*All tail panels above ship oversized 2.*