



COLD-18A



COLD-545AFK



COLD-547AFK

1967-81 Cold Case Radiators

These COLD-CASE radiators are TIG welded 100% aluminum. These radiators have dual oversize 1-1/4" cooling rows making them more efficient than four 1/2" rows seen on 4 row models. Cold Case aluminum radiators cool 20% better than OEM copper radiators and are more than 50% lighter. They are original in appearance with OEM style stamped tanks for strength and that OEM original look. Once painted, they look like originals to all but the concourse fanatic. Each radiator is pressure tested, direct fit and carries a Lifetime Warranty!

COLD-549M	1967-69 SB Manual	359.99 ea.
COLD-549A	1967-69 SB Auto	369.99 ea.
COLD-11M	1967-69 BB Manual	359.99 ea.
COLD-11A	1967-69 BB Auto	369.99 ea.
COLD-18M	1970-81 SB Manual	369.99 ea.
COLD-19A	1970-81 SB Auto	359.99 ea.

Kits With Electric Fans And Shroud

Cold Case made it easy with kits that include the radiator, fan and shroud. All kits come with transmission cooler fittings in the radiator.

COLD-11AFK	1967-69 BB All Single 16" Fan	549.99 kit
COLD-547AFK	1967-69 LS Swap All 16" Fan	549.99 kit
COLD-545AFK	1970-81 SB/BB All Dual 12" Fans	584.99 kit
COLD-557AFK	1970-81 LS Swap All 16" Fan	584.99 kit
COLD-RC100	Radiator Cap All	24.99 ea.
COLD-FAN12	12 Inch Cooling Fan 1400 CFM	59.95 ea.
COLD-FAN16	16 Inch Cooling Fan 2500 CFM	75.99 ea.
COLD-EF1	Fan Wiring Kit All	89.99 kit

All radiators are shipped Oversize. Not eligible for free shipping.

Frostbite Performance Cooling

High-Horsepower street cars and race cars can be a challenge to keep cool. A proper cooling system starts with Frostbite.

When it comes to keeping your ride cool, Make it Frostbite!



Aluminum Radiators

Our line of Performance Aluminum Radiators are available in 2, 3 and 4-row sizes as well as specific LS-Swap applications.

- 100% TIG welded (brazed) seams
- Aircraft quality aluminum core, fittings and tanks (up to 30% weight savings)
- Billet Aluminum Filler Neck and OEM style Brass Petcock
- Custom Frostbite High Performance 16lb radiator cap
- Polished top and tanks for custom show appearance
- 2-Row Radiators supporting applications with 300-500 horsepower • Transmission cooler provisions

Direct Fit

FROST-FB144	67-69 V8 All 2 Row 20.75" Wide	251.99 ea.
FROST-FB145	67-69 V8 All 3 Row 20.75" Wide	314.99 ea.
FROST-FB146	67-69 V8 All 4 Row 20.75" Wide	418.99 ea.
FROST-FB147	67-69 V8 All 2 Row 23" Wide	251.99 ea.
FROST-FB148	67-69 V8 All 3 Row 23" Wide	314.99 ea.
FROST-FB149	67-69 V8 All 4 Row 23" Wide	418.99 ea.
FROST-FB162	70-81 V8 All 2 Row 26" Wide	251.99 ea.
FROST-FB163	70-81 V8 All 3 Row 26" Wide	314.99 ea.
FROST-FB164	70-81 V8 All 4 Row 26" Wide	418.99 ea.
FROST-FB188	82-92 All 2 Row 17.25" Tall	248.99 ea.
FROST-FB189	82-92 All 3 Row 17.25" Tall	311.99 ea.
FROST-FB190	82-92 All 4 Row 17.25" Tall	414.99 ea.
FROST-FB185	98-99 All 2 Row 17.75" Tall	248.99 ea.
FROST-FB186	98-99 All 3 Row 17.75" Tall	311.99 ea.

LS Swap

Hose fittings sold separately.

FROST-FB300	67-69 LS All 2 Row 20.75" Wide	501.99 ea.
FROST-FB301	67-69 LS All 3 Row 23" Wide	501.99 ea.
FROST-FB302	70-81 LS All 3 Row 26.25" Wide	501.99 ea.
FROST-FB303	82-92 LS All 3 Row 26.25" Wide	501.99 ea.

Electric Fan & Shroud Kits

Fans & Shroud Kits E= Economy H= High Performance

FROST-FB513E	Dual 10" Fits FB 144, 145, 146 Radiators	311.99 kit
FROST-FB513H	Dual 10" Fits FB 147, 148, 149 Radiators	393.99 kit
FROST-FB523E	Dual 12" Fits FB 188, 189, 190 Radiators	311.99 kit
FROST-FB523H	Dual 12" Fits FB188, 189, 190 Radiators	403.99 kit

Shroud Only Dual Opening

FROST-FB513	Dual 10" Fits FB 147, 148, 149, 301 Radiators	174.99 ea.
FROST-FB502	Dual 10" Fits FB 162, 163, 164, 302 Radiators	174.99 ea.
FROST-FB523	Dual 12" Fits FB 188, 189, 190, 303 Radiators	174.99 ea.

Note: Width and height measurements are for the core not overall. No volume discount.

Fan Relay & Wiring Kit

This relay kit will allow you to custom configure your fans as pusher or puller resulting in increased cooling performance and a reduction in noise/vibration in your engine bay. Does 1 or 2 fans.

FROST-FB403	All With Electric Fans	93.99 kit
-------------	------------------------	-----------

No volume discount.

Hose Fittings

FROST-FB400	LS Swap 1.25"	50.99 ea.
FROST-FB401	LS Swap 1.5"	50.99 ea.
FROST-FB402	LS Swap 1.75"	50.99 ea.

No volume discount.



FROST-FB188



FROST-FB513E



FROST-FB523H



FROST-FB-400



FROST-FB-401



FROST-FB-402



CCS-CCFK10



CCS-CCFKRL



Aluminum Radiators by Champion Cooling Systems

These aluminum radiators are made to the highest of standards paired with unequalled quality precision and workmanship. All Champion aluminum radiators are constructed using 100% welded seams brazed core technology and absolutely no epoxy. All Champion radiators come with a lifetime limited warranty and are made to install with little or no modifications using your original mounts, giving you the confidence you deserve. Choose from the following series:

Economy Core Series - 2 Rows of 3/4" Tubes = Approx. 400-600+ HP Cooling Capacity.

Champion Core Series - 3 Rows of 5/8" Tubes = Approx. 600-800+ HP Cooling Capacity.

Monster Core Series - 4 Rows of 5/8" Tubes = Approx. 800-1200+ HP Cooling Capacity.

SB = Small Block, BB = Big Block

CCS-EC337	1967-69 Economy Core Series SB 19 1/4" x 28 3/4".....	196.95 ea.
CCS-EC370	1967-69 Economy Core Series BB 19 1/4" x 30 1/4".....	196.95 ea.
CCS-CC337	1967-69 Champion Core Series SB 19 1/4" x 28 3/4".....	259.95 ea.
CCS-CC370	1967-69 Champion Core Series BB 19 1/4" x 30 1/4".....	249.95 ea.
CCS-MC337	1967-69 Monster Core Series SB 19 1/4" x 28 3/4".....	344.95 ea.
CCS-CC337B-M	1967-69 Champion 3 Core Series SB 19 1/4" x 28 3/4".....	259.95 ea.
CCS-MC370	1967-69 Monster Core Series BB 19 1/4" x 30 1/4".....	344.95 ea.
CCS-EC162	1970-81 Economy Core Series 18 1/4" x 31 5/8".....	196.95 ea.
CCS-CC162	1970-81 Champion Core Series SB 18 1/4" x 31 5/8".....	259.95 ea.
CCS-MC162	1970-81 Monster Core Series 18 1/4" x 31 5/8".....	344.95 ea.
CCS-EC951	1982-92 Economy Core Series 20 x 32".....	196.95 ea.
CCS-CC951	1982-92 Champion Core Series 20 x 32".....	259.95 ea.
CCS-CC951-M	1982-92 Champion 3 Core Series SB 20" x 30".....	259.95 ea.
CCS-MC951	1982-92 Monster Core Series 20 x 32".....	344.95 ea.

Electric Cooling Fans

Features a reversible swept blade design meaning it can be configured as a puller or pusher. The blades are computer balanced.

CCS-CCFK10	10", 7.5 Amp Draw, 650 CFM.....	39.95 ea.
CCS-CCFK12	12", 10 Amp Draw, 870 CFM.....	39.95 ea.
CCS-CCFK14	14", 12 Amp Draw, 1200 CFM.....	44.95 ea.
CCS-CCFK16	16", 14 Amp Draw, 1600 CFM.....	59.95 ea.
CCS-CCFKRL	Fan Relay.....	59.95 ea.

Aluminum Fan Shrouds

Designed to fit Champion aluminum radiators and hold electric fans.

CCS-FS162	Fits 162 Radiators Holds (2) 14" Fans.....	132.95 ea.
CCS-FS337	Fits 337 Radiators Holds (2) 10" Fans.....	132.95 ea.
CCS-FS370	Fits 370 Radiators Holds (2) 10" Fans.....	132.95 ea.
CCS-FS951	Fits 951 Radiators Holds (2) 12" Fans.....	132.95 ea.

Factory Replacement Radiators

These direct factory replacement Super Cooler radiators come complete with new high density cores, correct screw in fittings for automatics, correct mounting brackets where applicable and are ready to install.

AXX-214A	1967-69 SB 3 Row 21" Automatic.....	389.95 ea.
AXX-214M	1967-69 SB 3 Row 21" Manual.....	419.95 ea.
AXX-334A	1967-69 BB 4 Row 23" Automatic.....	449.99 ea.
AXX-334M	1967-69 BB 4 Row 23" Manual.....	449.99 ea.
AXX-23CA	1967-69 BB 4 Row SHP Bent Neck Automatic.....	399.95 ea.
AXX-23CM	1967-69 BB 4 Row SHP Bent Neck Manual.....	399.95 ea.
AXX-263A	1970-73 All 4 Row 26" Automatic.....	422.95 ea.
AXX-263M	1970-73 All 4 Row 26" Manual.....	462.95 ea.
VHT-SP139	Radiator Paint.....	7.99 ea.

All radiators are shipped Oversize. No Volume Discount.



AXX-679A



AXX-679A-KIT



AXX-70R

1967-81 Aluminum Radiator

This Camaro aluminum radiator features an oversized two core design that will keep your high performance engine running cool. The shiny finish of the aluminum will look great on any show car!

AXX-679A	1967-69 23L x 19H x 2.75W.....	239.99 ea.
AXX-679A-KIT	1967-69 23L x 19H x 2.75W w/ Fan Shroud & Relay.....	321.47 kit
AXX-70R	1970-81 26".....	199.95 ea.

Note: May require modifications to fan shroud. Aftermarket electric fans recommended because of tight clearance issues with stock fan depending on engine application. All radiators are shipped Oversize. No Volume Discount.



Dakota Digital Fan Controller

PAC-2750

The PAC-2750 was designed for the ultimate in flexibility and to be a simple add-on in any application using an electric fan. Included is a 70amp relay, enough for even the most power hungry of cooling fans. Fully programmable, the PAC-2750 will work with your existing water temp gauge, operating from the temperature sending unit already installed.

PAC-2800BT	All.....	128.99 kit
------------	----------	------------

Not eligible for volume discounting.



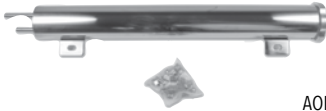


ACR-001

Universal Coolant Recovery Tank

This compact tank can be mounted anywhere and is used to recover coolant overflow. 6" wide x 4" deep x 5" tall.

ACR-001 Universal..... 10.95 ea.



AOF-172

Stainless Overflow Tank

This polished stainless steel universal fluid reservoir is perfect for older muscle cars that did not come from the factory with a coolant recovery tank.

AOF-103 10" x 3" 54.99 ea.
 AOF-132 13" x 2" 54.99 pr.
 AOF-152 15" x 2" 54.99 ea.
 AOF-172 17" x 2" 54.99 ea.

Note: 1/4 in. Hose Barb Inlet/Outlet

AJC-194



Radiator Overflow Jars

AOJ-153

Overflow jar is manufactured from high grade plastic and features the correct ADD/FULL lines for 1973-77 models and HOT/COLD lines for 1978-79 models as original.

AOJ-153 1973-77 Jar 29.99 ea.
 AOJ-563 1978-79 Jar 39.99 ea.
 AJC-194 1974-75 Cap 7.95 ea.
 AOJ-978 1978-81 Cap 9.99 ea.
 AOJ-175 1989-92 Jar 69.95 ea.



AAC-6072
Detail



AAC-6072

Radiator Caps

Your choice of exact reproduction GM RC15 cap with correct large ears and correct wording or new GM replacement.

AAC-6072 Reproduction 29.99 ea.
 AAC-6415 Replacement..... 18.95 ea.



Radiator Mounting Pads

Correct upper and lower rubber pads for mounting your radiator into the support. Lower pads feature steel cores.

ATE-6041 1970-81 HD 4 Core Upper 9.95 pr.
 ATE-4100 1970-81 HD 4 Core Lower 9.95 pr.
 ATE-6SB 1970-81 SB 3 Core All 9.99 ea.



AP-70-AC

Radiator Top Panels

Correct reproduction top panels that hold your radiator in place.

AP-70 1970-81 w/o AC 23 3/4" x 5-1/4" 3 Bolt. 24.95 ea.
 AP-70-AC 1970-81 w/ AC 28 1/2 x 5-5/8" 3 Bolt..... 24.95 ea.
 GCS-S9427 1968-73 Chrome 3 Bolt w/o AC
 23-3/4" x 5-1/4" 17.84 ea.
 GCS-S9425 1970-81 3 Bolt
 23-7/8" Long Chrome 16.79 ea.
 GCS-S9426 1970-81 3 Bolt HD Cooling
 28-11/16" Long Chrome..... 16.79 ea.



AB-31X

Radiator Attaching Hardware

Correct OEM hardware for attaching the radiator to the support.

AB-31X 1967-81 All 5.95 kit



AEF-14



Electric Cooling Fans

This electric cooling fan is perfect for cars where an electric water pump is being used or as supplemental cooling.

AEF-12 12" Universal 54.99 ea.
 AEF-14 14" Universal 54.99 ea.
 AEF-16 16" Universal 56.99 ea.



ABR-3996

Fan Blades

Reproduction fan blades to be used with fan clutches only.

APR-705 1967-68 5 Blade 17.5" 99.95 ea.
 ABR-6BLD 1967-68 6 Blade 17.5" 79.95 ea.
 ABR-7BLD 1967-68 7 Blade 17.5" Curved Tips 99.95 ea.
 ABR-3996 1969-72 7 Blade 17.5" 79.95 ea.



AWT-7719



ABR-2710



BKP-516

Fan Clutches

Heavy duty fan clutch with gold cadmium coloring, in limited supply!

AWT-7719 1967-68 Short Pump Replacement 52.95 ea.
 ABR-2710 1969-81 Long Pump 69.95 ea.
 BKP-516 Correct Attaching Nuts 4pc 1.50 kit



Fan Attaching Kits

BPX-2792

Correct style bolts/studs for attaching fan to water pump.

BPX-2792 Attaching Stud Kit 12pc 6.95 kit
 BPX-2791 Attaching Bolt Kit 8pc 5.95 kit



FANKIT-6BS

BUY 'N SAVE
WITH KITS



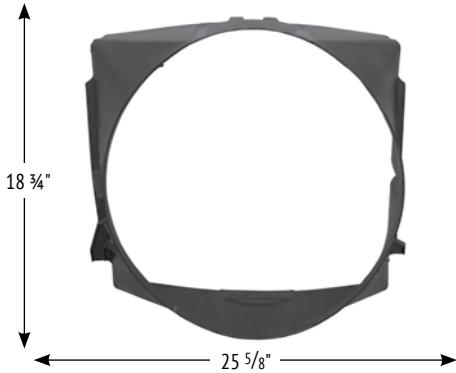
Fan Clutch Kits

Complete kit to convert your car to this heavy duty GM fan clutch option. This kit includes fan, fan clutch and all necessary hardware.

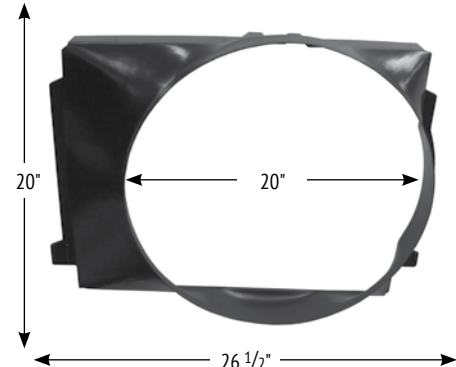
FANKIT-6BS 1967-68 6 Blade SWP 111.88 kit
 FANKIT-5BR 1967-68 5 Blade SWP 127.88 kit
 FANKIT-7BS 1967-68 7 Blade Curved SWP 127.88 kit
 FANKIT-7BL 1969-73 7 Blade LWP 125.48 kit

OEM Fan Shrouds

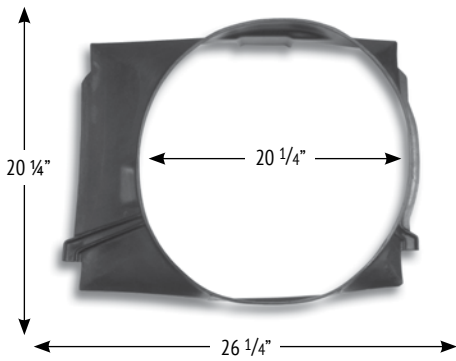
These are OE style fan shrouds unless otherwise stated. These fan shrouds will mount correctly to all original OE radiators and are a must for final engine compartment detailing.



ABC-3812 1967-68 SB w/o A/C for 21" Radiator, GM..... 194.95 ea.



ACL-9956 1967-68 BB..... 94.95 ea.
Note: This is a high quality, concourse quality reproduction which meets or exceeds OEM.



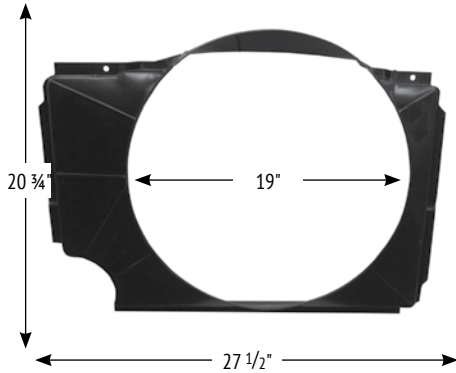
3947619 1969 BB..... 99.99 ea.
Note: This is a high quality, concourse quality reproduction which meets or exceeds OEM.



Fan Shroud Clip Kit

Correct lower shroud attaching clip set for all 1967-69 Camaros with factory Harrison radiators. (The large clip attaches to the lower right side of the tank.)

AHB-679K 1967-69 All20.61 kit



ADR-170 1970-81 All BB..... 79.95 ea.
Note: This is a high quality, concourse quality reproduction which meets or exceeds OEM.

BUY'N SAVE
WITH KITS

ABC-3910K 1970-81 Small Block HD Cooling 169.99 ea.

AKW-1112 1970-81 Small Block HD Cooling 169.99 ea.



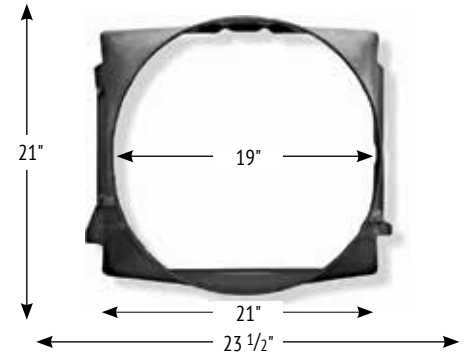
Fan Shroud Attaching Bracket

Correct bracket kits for mounting shroud.

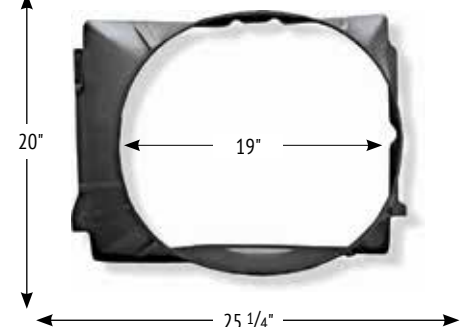
AKW-1112 1967-69 SB.....13.99 kit
AKW-1112 1967-68 BB.....13.99 kit
AKW-0142 1969 BB.....8.95 kit

Reproduction Fan Shrouds

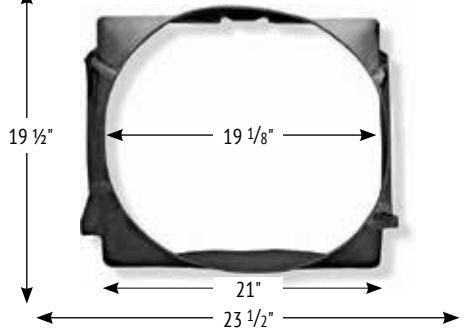
These reproduction fan shrouds are good for the daily driver or those restoring on a budget. These fan shrouds are of a lesser quality than our GM fan shrouds and may require some modification to fit properly, but they are a much more economical alternative.



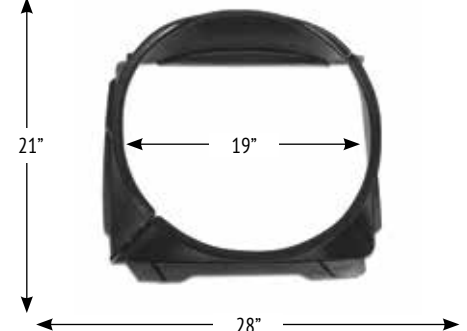
3893812 1967-68 SB w/o A/C..... 139.99 ea.



3893814 1967-69 SB w/ A/C..... 144.95 ea.



3938615 1969 SB w/o A/C..... 139.95 ea.



R183 1970-79 SB Assembled 128.99 ea.



Tower Clamp Kits

Original Witek Tower style clamps. These factory installed clamps were used on most GM cars. 1967-68 used tower clamps on the radiator hoses and spring clamps on the heater hoses. Cars built 1969 or later used all tower clamps.

CPX-6368	1967-68 8pc.....	22.95 kit
CPX-4796	1969-81 8pc.....	26.95 kit



Radiator Overflow Hose OEM

Correct thin walled ribbed hose as original.

CPN-0638	1967-81.....	2.95 per ft.
----------	--------------	--------------



Radiator Overflow Hose Clip

Correct clip for retaining overflow hose.

CPX-8739	All.....	12.95 ea.
----------	----------	-----------



Radiator Petcock

Correct gold colored fluted end drain valve for radiator.

AXP-1106	All.....	4.95 ea.
----------	----------	----------



Heater Hose Retainers

Correct heater hose retainers for inside of passenger fender and top of alternator bracket.

ATE-2059	RH Fender.....	6.99 ea.
ATE-5416	ALT Bracket.....	6.99 ea.

Upper Radiator Hoses

OE style reproduction upper radiator hoses featuring the correct GM part numbers and ID codes!



CPH-2626	1967 SB.....	16.95 ea.
CPH-2650	1967-68 Z/28.....	16.95 ea.
CPH-2684	1968 SB.....	16.95 ea.



CPH-1650	1969 SB, Z/28.....	16.95 ea.
CPH-3192	1970-81*.....	19.95 ea.
CPH-5531	1970-78 SB.....	19.95 ea.

*Use with aftermarket radiator.



CPN-9866	1967-69 BB.....	16.95 ea.
----------	-----------------	-----------



CPH-6039	1969 COPO.....	16.95 ea.
----------	----------------	-----------

For bent neck radiator

Lower Radiator Hoses

OE style reproduction lower radiator hoses featuring the correct GM part numbers and ID codes!



CPH-2628	1967-68 SB.....	16.95 ea.
----------	-----------------	-----------



CPH-2561	1969 SB.....	16.95 ea.
CPH-0122	1970-78 SB.....	16.95 ea.



CPH-9698	1967-68 BB.....	16.95 ea.
----------	-----------------	-----------



CPH-6044	1969 BB.....	16.95 ea.
CPH-3193	1970 BB.....	19.95 ea.
CPH-9486	1971-72 BB*.....	19.95 ea.

*Fits all 1971-81 big block.



Heater Hoses

New officially licensed GM restoration heater hose sets. 1967-68 hoses feature correct GM with box logo and 1969-81 features correct black ribbed design.

CPH-5834	1967-68.....	18.95 kit
CPR-5834	1969-81.....	21.95 kit



Heater Control Valve

New GM heater control valve for all Chevs with air conditioning. Correct gold plating

ACV-1901	1969-70 w/ A/C.....	46.95 ea.
AV-560	Screws 2pc.....	0.95 ea.

BUY'N SAVE
WITH KITS

SALE



AHC-KIT3

Heater Cores & Box Seal Kits

This kit includes an OEM heater core and neoprene seals. Components also available separately.

Kits		
AHC-KIT1	1967-68 SB w/o A/C	101.68 kit
AHC-KIT2	1969-81 SB w/o A/C	92.68 kit
AHC-KIT3	1967-69 BB w/o A/C	119.68 kit
Cores		
AHC-9086	1967-68 SB w/o A/C	89.99 ea.
AHC-9054	1967-68 All w/ A/C	89.99 ea.
AHC-678BB	1967-68 BB w/o AC	109.99 ea.
AHC-9065	1969-81 SB w/o A/C	79.99 ea.
AHC-9056	1969 All w/ A/C	89.99 ea.
AHC-8008	1969 BB w/o A/C	109.99 ea.
AHC-781ACF	1970-81 All w/AC	89.99 ea.
Seals		
JHC-3064	1967-81 All V8 w/o A/C	22.99 kit



AHC-458

Heater Core Retaining Clips

Reproduction heater core clips manufactured from spring steel as original.

AHC-458	1967-69 BB	32.95 pr.
AHC-13641	1967-69 SB	30.95 kit



AL-304

Heater Box Cover

Brand new firewall heater box cover for all cars without air conditioning.

AL-304	1967-81 SB w/o AC	39.95 ea.
AL-303	1967-69 BB w/o AC	69.95 ea.
AL-304-CHROME	1967-81 SB w/o AC Chrome	79.95 ea.
AL-303-CHROME	1967-81 BB w/o AC Chrome	85.95 ea.
AHC-CLAMP	1967-81 All That Use a Clamp	19.99 pr.
ALS-27	Retaining Nut	0.95 ea.
JCS-10459	Sealant	9.95 ea.
AL-305	1967-69 BB non-A/C Tube Cover Plate	19.99 ea.
AL-963	Tube Cover Plate Seal Kit 2pc	4.99 kit



AHC-691

Heater Boxes

New complete inner heater box assemblies for under the dash.

AHC-671	1967 Non AC	299.95 ea.
AHC-691	1968-69 Non AC	299.95 ea.

No Volume Discount



ABM-1041W

Heater Blower Motor

New OEM replacement heater blower motor for cars with or without A/C.

ABM-870	1967-77 Motor Only	44.99 ea.
ABM-1041W	1967-77 w/ Cage	70.18 ea.
ABM-CAGE	1967-81 Cage Only	32.99 ea.
GWC-SPK	Wire Clips	13.95 pr.



ABR-71

ABR-69AC

ABR-77

Heater Blower Motor Resistors

Correct blower motor resistors.

ABR-71	1967-68 w/ AC	23.99 ea.
ABR-69AC	1969 w/ AC	29.99 ea.
ABR-77	1967-72 w/o AC	21.99 ea.
ABR-7381	1973-81 w/ AC	69.99 ea.
ARS-304	Mounting Screws	0.95 pr.



AHD-808

Heater Delete Plate

New factory style firewall heater delete plate set. This set comes with block off plates for firewall heater and blower motor assembly.

AHD-808	1967-69 w/o Orig A/C	89.99 ea.
AHD-899	1967-69 w/ Orig A/C	99.99 set
ABO-417	1967-69 BB Non A/C Hose Block Off	19.95 ea.



AXB-7A

AC Delete Cover

This covers the large hole where your AC used to be and allows you to use your factory heater core when removing your AC.

AXB-7A	1967-69 All	119.95 ea.
AXB-7B*	1970-81 All	119.95 ea.
JCS-10459	Sealant	9.95 ea.

*You must use a non-AC blower motor with this cover.

We recommend part ABM-CAGE.



AHG-737

APG-184

AEC-73D

AC Evaporator Seals & Drain

Correct grommets to seal the evap case from the engine compartment. Reproduction drain hose to engine compartment.

AHG-737	1967 Heater Hose Grommet	27.99 ea.
APG-184	1967-69 Pipe Grommet	14.99 ea.
APG-723	1970-81 Pipe Grommet	23.99 ea.
AEC-73D	1967-81 Drain Grommet	13.99 ea.



AXB-15241

AXB-67-AC DELETE

AC Delete Panels

These are bolt in panels to block off the AC openings on the firewall.

AXB-67-AC-DELETE	1967-69	65.95 ea.
AXB-15241	1967-81 Steel	49.95 pr.



DSE010901

Detroit Speed Firewall Fill Plate

An excellent way to smooth your firewall! Smooths the passenger side firewall while retaining the stock cowl to firewall seam. Weld-in panel made of 18 gauge steel with a rolled edge. Made in USA.

DSE010901	1967-69	87.99 ea.
DSE010904	1970-81	87.99 ea.

No Volume Discount

DSE010902

Detroit Speed Heater Delete Plate

This bolt-in plate is an easy way to smooth your firewall for that heater delete look. 18 gauge steel. Made in USA.

DSE010902	1967-69	87.99 ea.
-----------	---------	-----------



DSE010903

Detroit Speed A/C Delete Plate

This bolt-in plate is an easy way to smooth your firewall. 18 gauge steel. Made in USA.

DSE010903	1970-81	87.99 ea.
-----------	---------	-----------

AC Box Under Hood Hardware

All the hardware related to the AC under the hood on the firewall forwards.

67FA-F	1967	43.99 kit
68FA-F	1968	49.99 kit
69FA-F	1969	59.99 kit
70FA-F	1970	54.99 kit
71FA-F	1971	47.99 kit
72FA-F	1972	45.99 kit
73FA-F	1973	49.99 kit

AC Box Under Dash Hardware

All the hardware related to the AC under the dash.

67FA-R	1967	39.99 kit
68FA-R	1968	40.99 kit
69FA-R	1969	44.99 kit
70FA-R	1970	36.99 kit
71FA-R	1971	33.99 kit
72FA-R	1972-73	38.99 kit